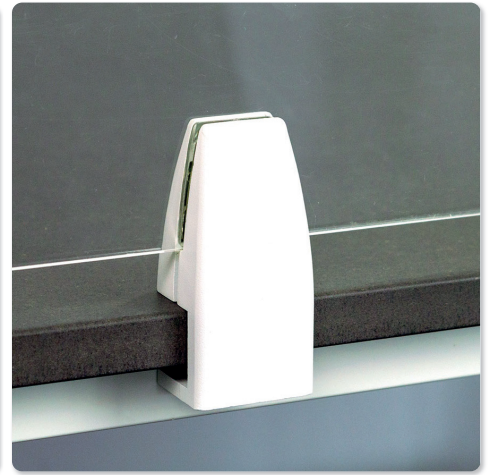


SOLIDO V

Aluminium die-cast table clamp for our AKUSTIX Vario products

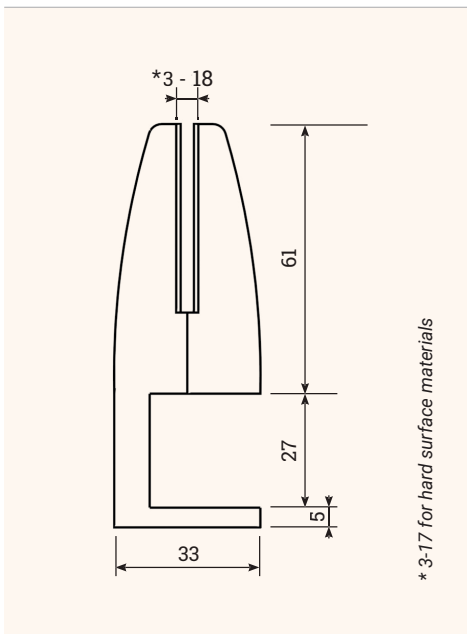


- ✔ Plastic inlay (detachable) for careful clamping
- ✔ Clamp range: soft panels 3 - 18 mm / hard surface materials 3 - 17 mm
- ✔ Clamp range (table fixation): 19 -25 mm
- ✔ Installation without drilling

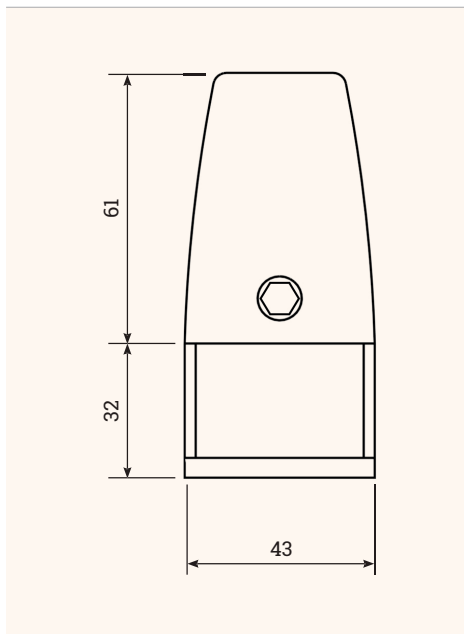


Technical Drawings

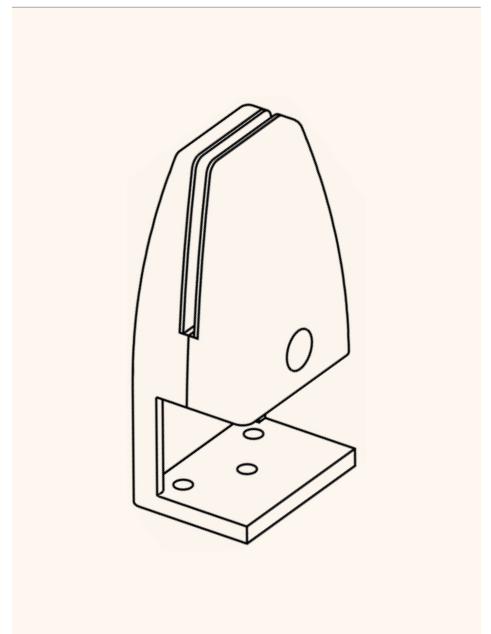
Side



Front



3D View



Article	Description	Material	Colour	Item No.
SOLIDO V	1 pair of table clamps, one-sided, die-cast aluminium, clamp range table top: 19-25mm, clamp range: soft panels 3-18mm / hard surface 3-17mm, 2x DIN 912 M6x16mm, 2x DIN 912 M6x25mm, grub screws: 3x M6x6mm, 3x M6x12mm, 2 pcs/box	Aluminium die-cast	White	308 109744
		Aluminium die-cast	Silver	308 109751
		Aluminium die-cast	Black	308 120132



SOLIDO T

Aluminium die-cast table clamp for our AKUSTIX Vario products

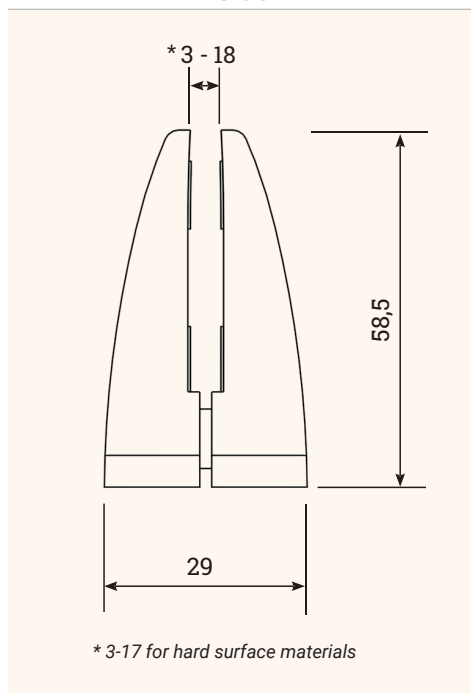


- ✔ Plastic inlay (detachable) for careful clamping
- ✔ Clamp range: soft panels 3 - 18 mm / hard surface materials 3 - 17 mm
- ✔ Space saving

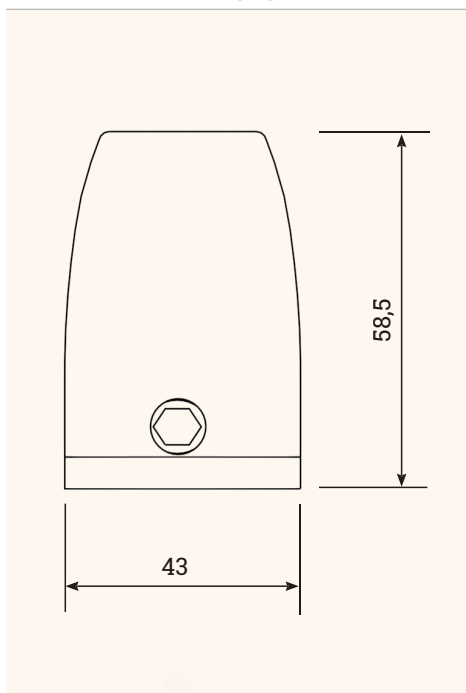


Technical Drawings

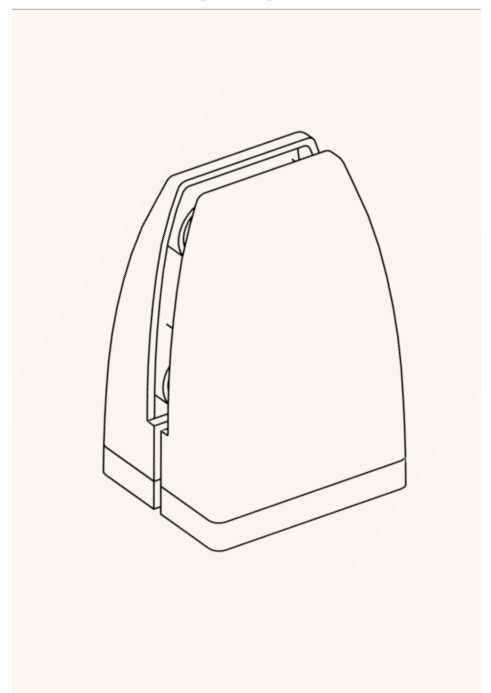
Side



Front



3D View



Article	Description	Material	Colour	Item No.
SOLIDO T	table clamps for AKUSTIX Vario (eco), die-cast installation-set, screwed on table top	aluminium die-cast	black	308 122617
		aluminium die-cast	silver	308 122624
		aluminium die-cast	white	308 122631



SOLIDO F

Aluminium die-cast tabletop clamp for our AKUSTIX Vario products

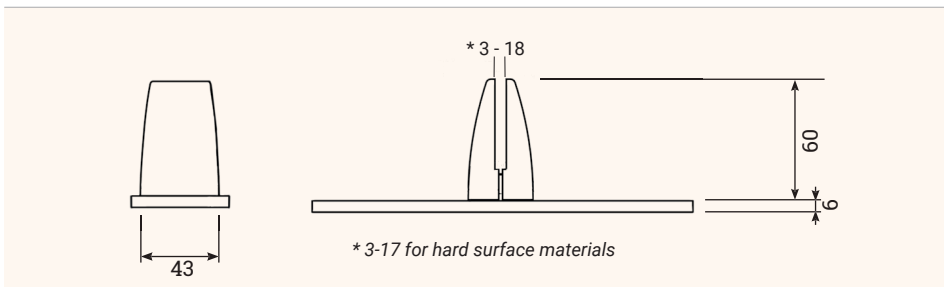


- ✔ Plastic inlay (detachable) for careful clamping
- ✔ Clamp range: soft panels 3 - 18 mm / hard surface materials 3 - 17 mm
- ✔ Installation without drilling

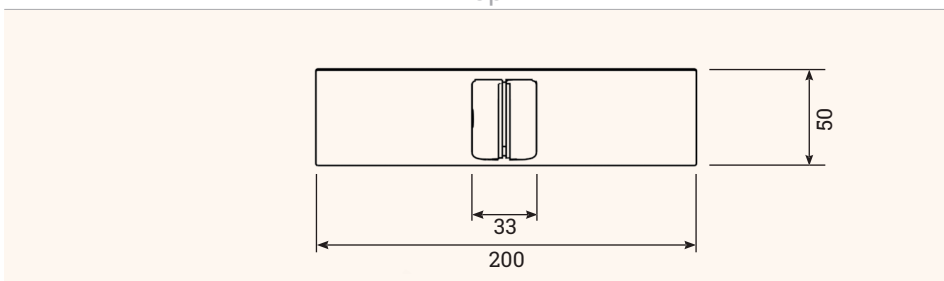


Technical Drawings

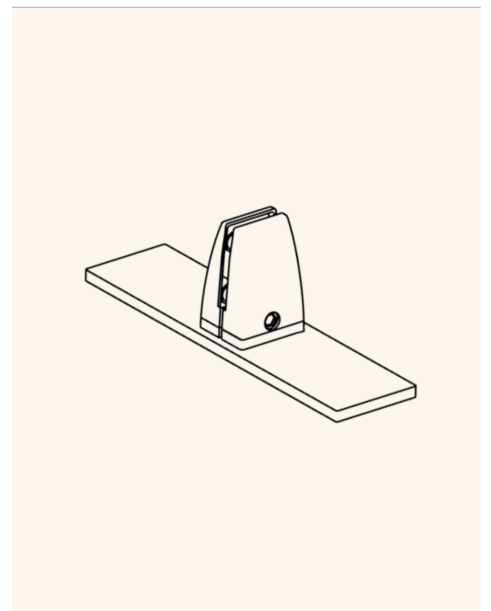
Side



Top



3D View



Article	Description	Material	Colour	Item No.
SOLIDO F	table clamp for AKUSTIX Vario (eco) incl. accessories, aluminium die-cast, clamp range: soft panels 3-18mm / hard surface 3-17mm, 1x DIN 912 M6x16mm, 1x DIN 912 M6x25mm	aluminium die-cast	Black	308 122988
		aluminium die-cast	Silver	308 122995
		aluminium die-cast	White	308 123002



SOLIDO L

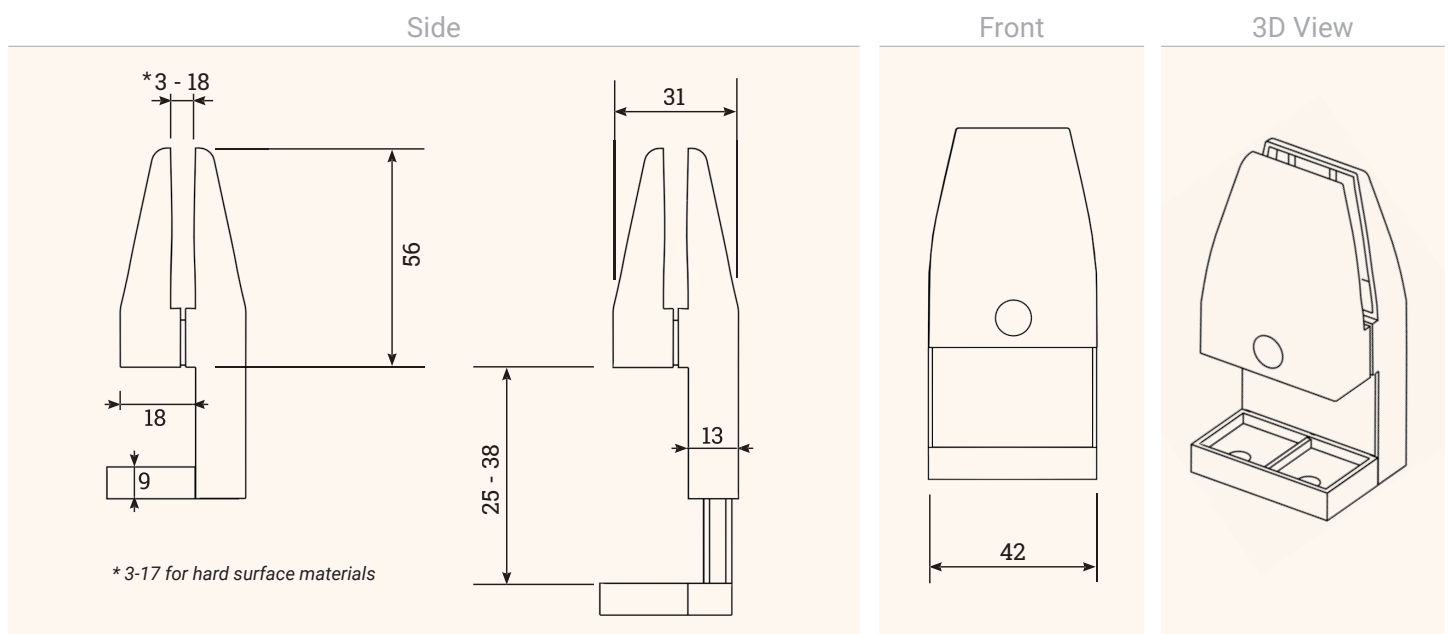
Aluminium die-cast table clamp for our AKUSTIX Vario products



- ✔ Plastic inlay (detachable) for careful clamping
- ✔ Clamp range: soft panels 3 - 18 mm / hard surface materials 3 - 17 mm
- ✔ Clamp range (table fixation): 25 -38 mm



Technical Drawings



Article	Description	Material	Colour	Item No.
SOLIDO L	table clamp for AKUSTIX Vario (eco) incl. accessories, aluminium die-cast, one sided, clamp range: soft panels 3-18mm / hard surface 3-17mm, 1x DIN 912 M6x16mm, clamp area tabletop: 25-38 mm, 1x DIN 912 M6x25mm	aluminium die-cast	Black	308 123030
		aluminium die-cast	Silver	308 123037
		aluminium die-cast	White	308 123044



SOLIDO XL

Aluminium die-cast/steel table clamp for our AKUSTIX Vario products

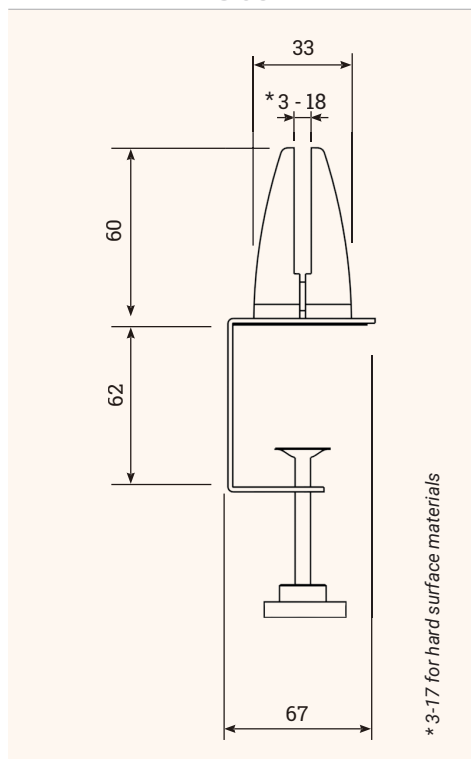


- ✓ Plastic inlay (detachable) for careful clamping
- ✓ Clamp range: soft panels 3 - 18 mm / hard surface materials 3 - 17 mm
- ✓ Clamp range (table fixation): 20 - 52 mm
- ✓ Clamp 90° rotatable for many installation options

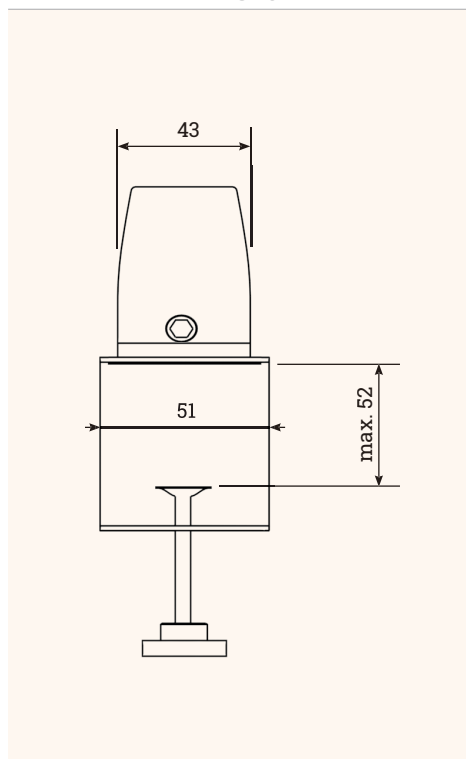


Technical Drawings

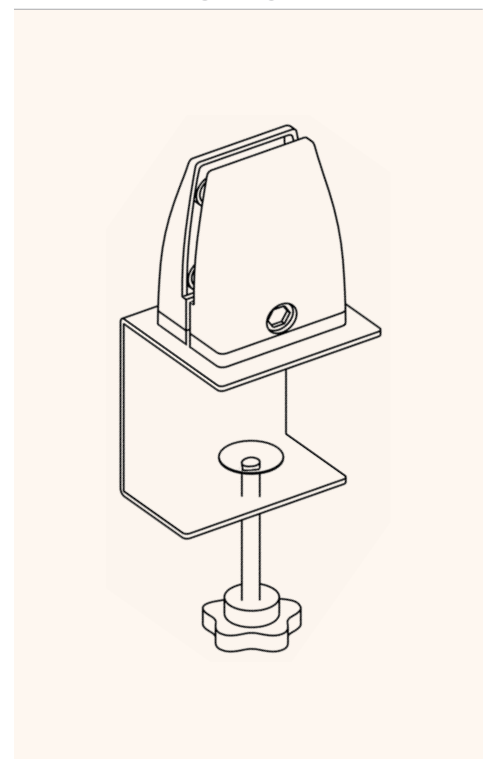
Side



Front



3D View



Article	Description	Material	Colour	Item No.
SOLIDO XL	table clamp for AKUSTIX Vario (eco) incl. accessories, aluminium die-cast and steel, one sided, clamp range: soft panels 3-18mm / hard surface 3-17mm, 1x DIN 912 M6x16mm, clamp range tabletop: 20-52 mm, 1x DIN 912 M6x25mm	aluminium die-cast, steel	Black	308 123009
		aluminium die-cast, steel	Silver	308 123016
		aluminium die-cast, steel	White	308 123023

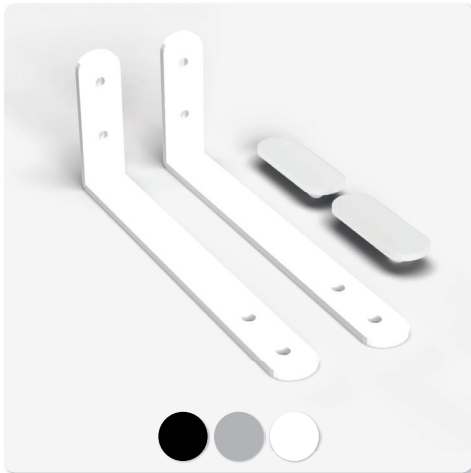


SOLIDO 90

90° steel-bracket for our AKUSTIX Vario (eco) elements

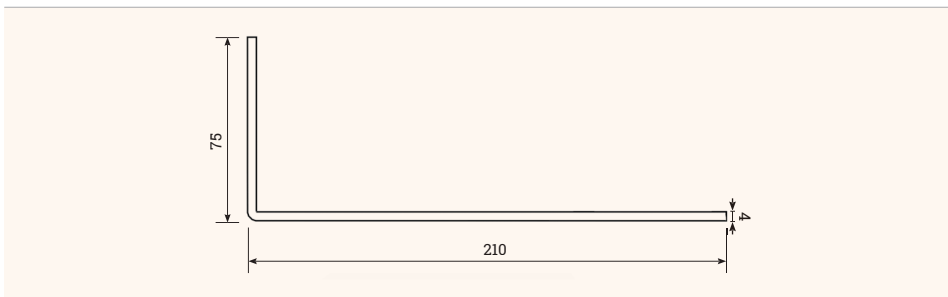


- ✔ Decorative panel fixation
- ✔ For mounting on top or under the tabletop
- ✔ Quick assembly with screws

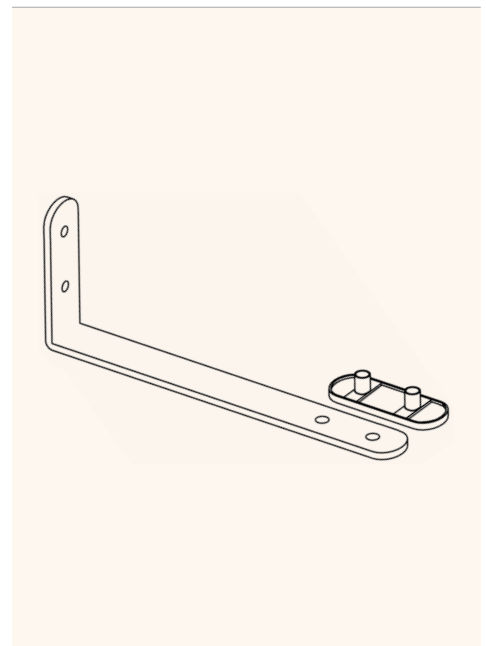


Technical Drawings

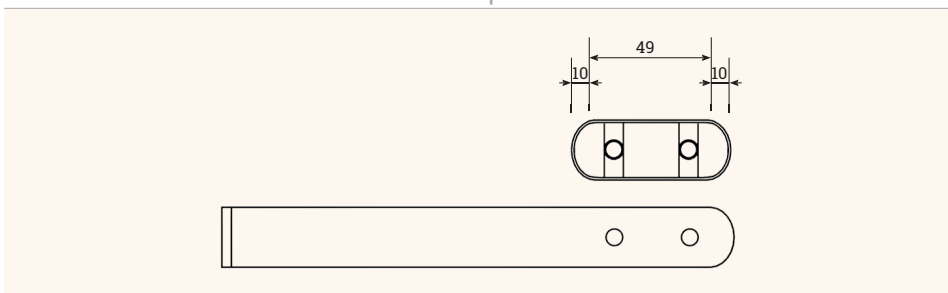
Side



3D View



Top



Article	Description	Material	Colour	Item No.
SOLIDO 90	90 degrees steel-bracket for AKUSTIX Vario (eco), decorative panel fixation	steel, powder coated	White	308 109730
		steel, powder coated	Silver	308 109737
		steel, powder coated	Black	308 129 008



SOLIDO CC

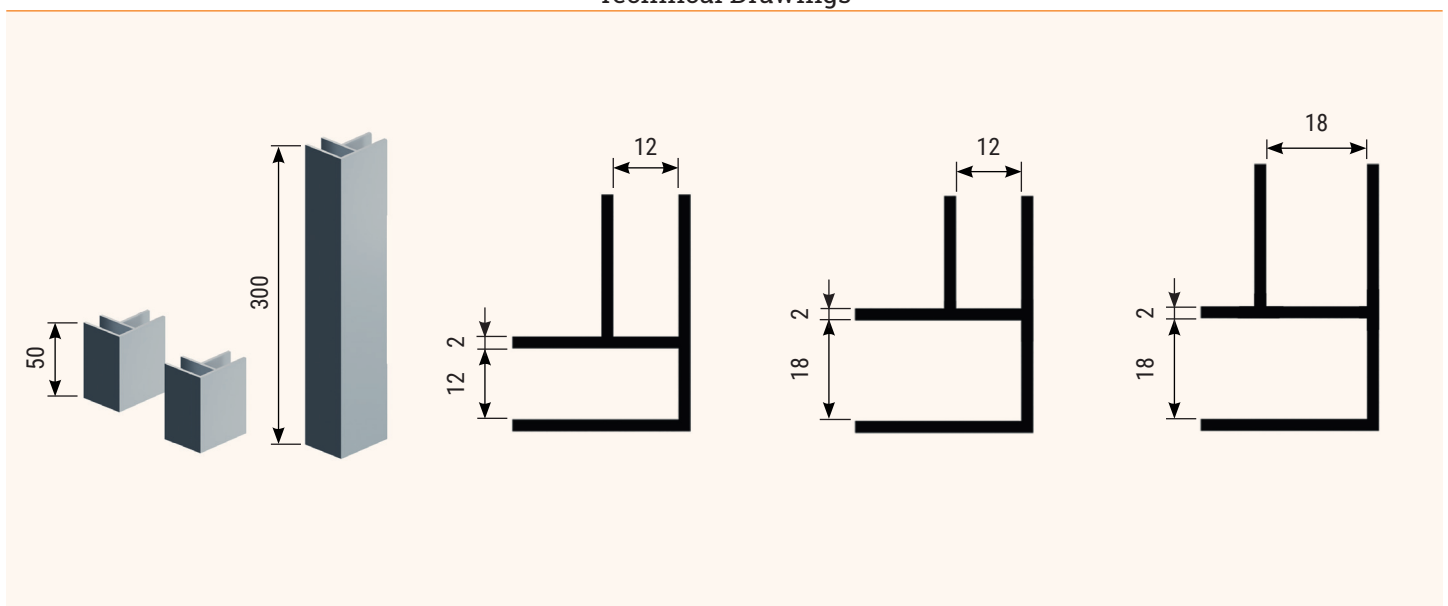
The corner connection profile for our AKUSTIX Vario (eco) elements



- ✓ Corner connection profile connects several AKUSTIX Vario- bzw AKUSTIX Vario eco- elements
- ✓ Aluminium anodized
- ✓ As 2 single profiles (50 mm) or 1 big profile (300 mm) available



Technical Drawings



Article	Description	Material	Colour	Item No.
SOLIDO CC 12/12/50	2x Corner connection profile for AKUSTIX Vario eco (12 mm), length: 50 mm	Alu, anodized	Silver	308 123835
SOLIDO CC 12/18/50	2x Corner connection profile for AKUSTIX Vario eco (12 mm) to AKUSTIX Vario (18 mm), length: 50 mm	Alu, anodized	Silver	308 123821
SOLIDO CC 18/18/50	2x Corner connection profile for AKUSTIX Vario (18 mm), length: 50 mm	Alu, anodized	Silver	308 123814
SOLIDO CC 12/12/300	Corner connection profile for AKUSTIX Vario eco (12 mm), length: 300 mm	Alu, anodized	Silver	308 123842
SOLIDO CC 12/18/300	Corner connection profile for AKUSTIX Vario eco (12 mm) to AKUSTIX Vario (18 mm), length: 300 mm	Alu, anodized	Silver	308 123828
SOLIDO CC 18/18/300	Corner connection profile for AKUSTIX Vario (18 mm), length: 300 mm	Alu, anodized	Silver	308 123807



SOLIDO Side

Table clamps for AKUSTIX Vario (eco)



- ✔ Decorative panel fixing
- ✔ For table tops with thickness from 5 to 50mm
- ✔ Quick assembly without drilling holes in tabletop
- ✔ Can be mounted upwards and downwards
- ✔ Can be used for slanted table tops



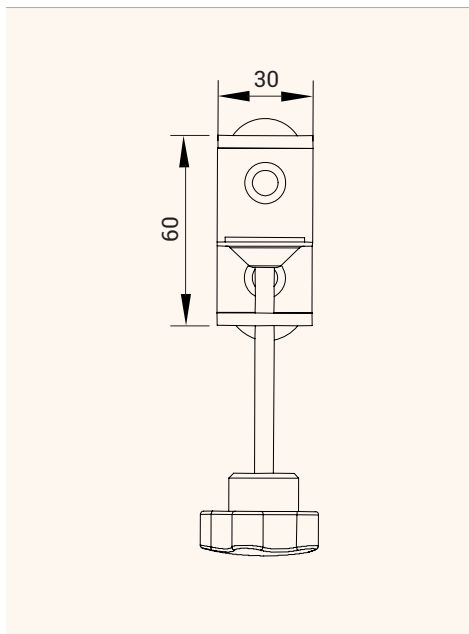
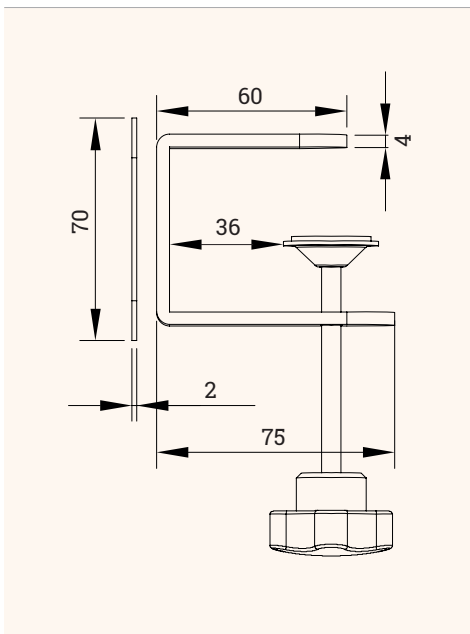
Technical drawings



Detailed image

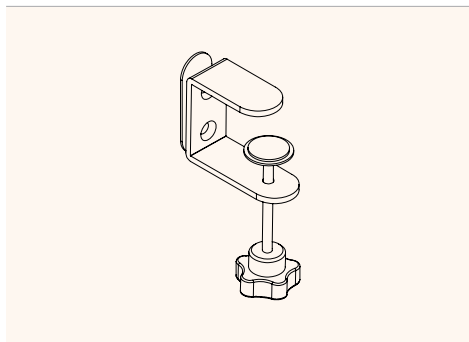
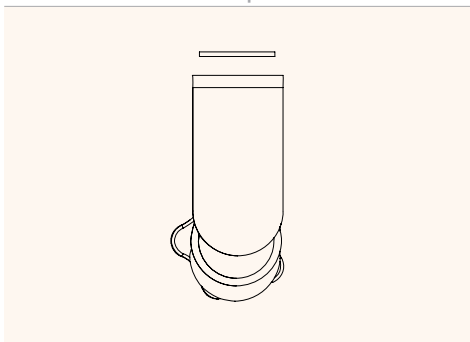
Side

Front



Top

3D view



Article	Description	Colour	Item No.
SOLIDO Side	Table clamps for AKUSTIX Vario (eco) with panel fixation, 2x clamp; DIN 7991 black: 4x M5x12 & 4x M5x18	Silver	308 129120
SOLIDO Side		White	308 129113
SOLIDO Side		Black	308 129106

SOLIDO Varioplex

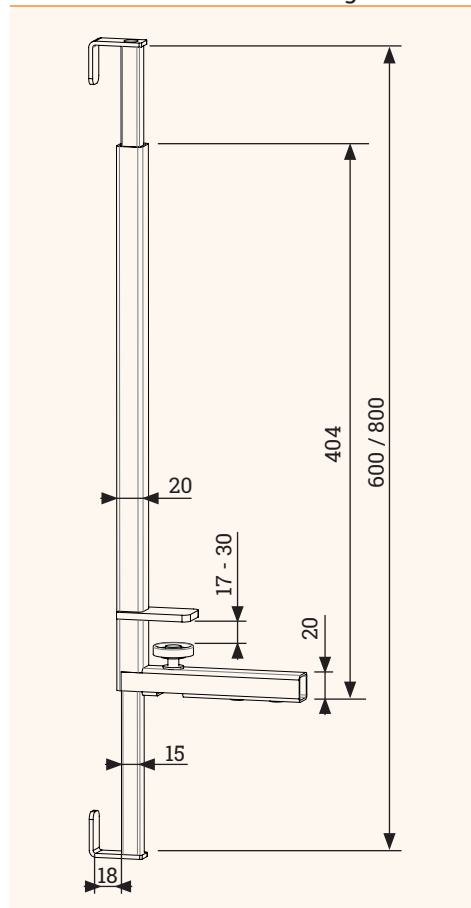


Height adjustable AKUSTIX Vario holder (VARIOPLEX System)

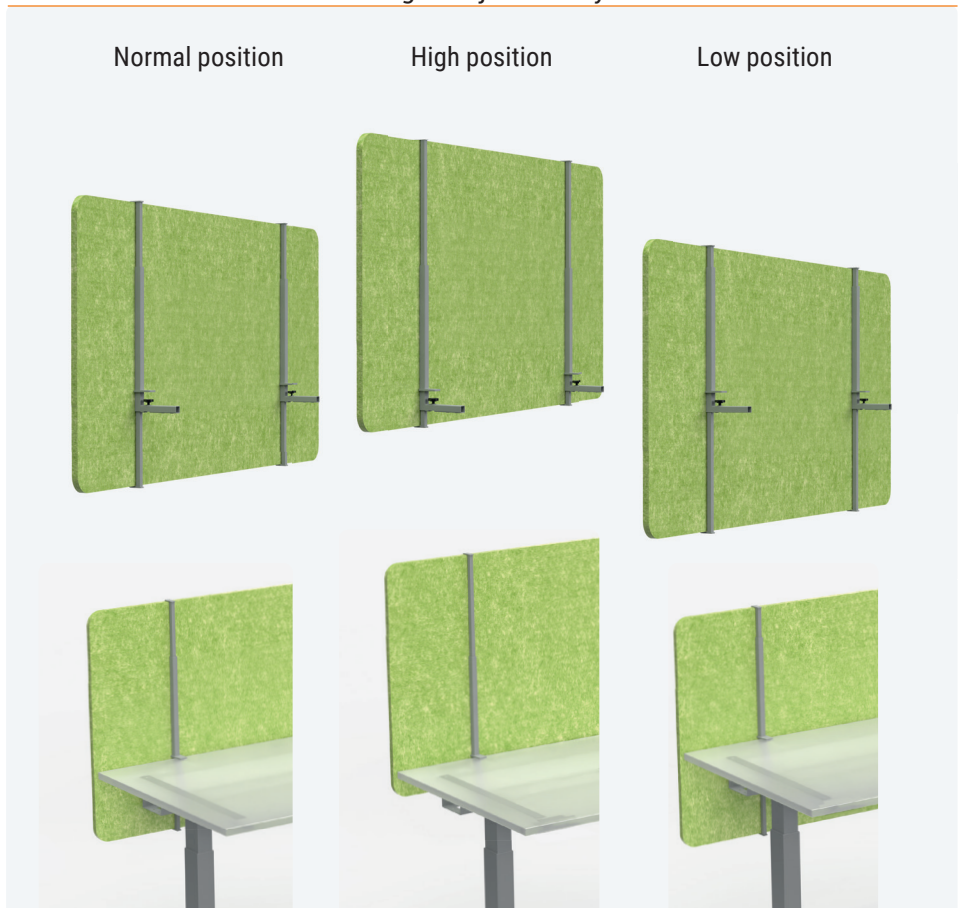
- ✔ Height-adjustable inner tube with 5 mounting holes (hole distance 5 cm)
- ✔ Expandable with cable tray BOXIT Varioplex or SOLIDO TC for 3 mm Plexiglas panels
- ✔ Suitable for AKUSTIX Vario elements (18mm) with a height of 600 or 800 mm



Technical Drawings



Height adjustability



Article	Description	Colour	Item No.
SOLIDO Varioplex 600	2x Fitting for AKUSTIX Vario, inner tube: 600 mm, inner tube position height adjustable, steel powder coated	White	308 128931
		Silver	308 128910
		Black	308 128903
SOLIDO Varioplex 800	2x Fitting for AKUSTIX Vario, inner tube: 800 mm, inner tube position height adjustable, steel powder coated	White	308 128938
		Silver	308 128924
		Black	308 128917



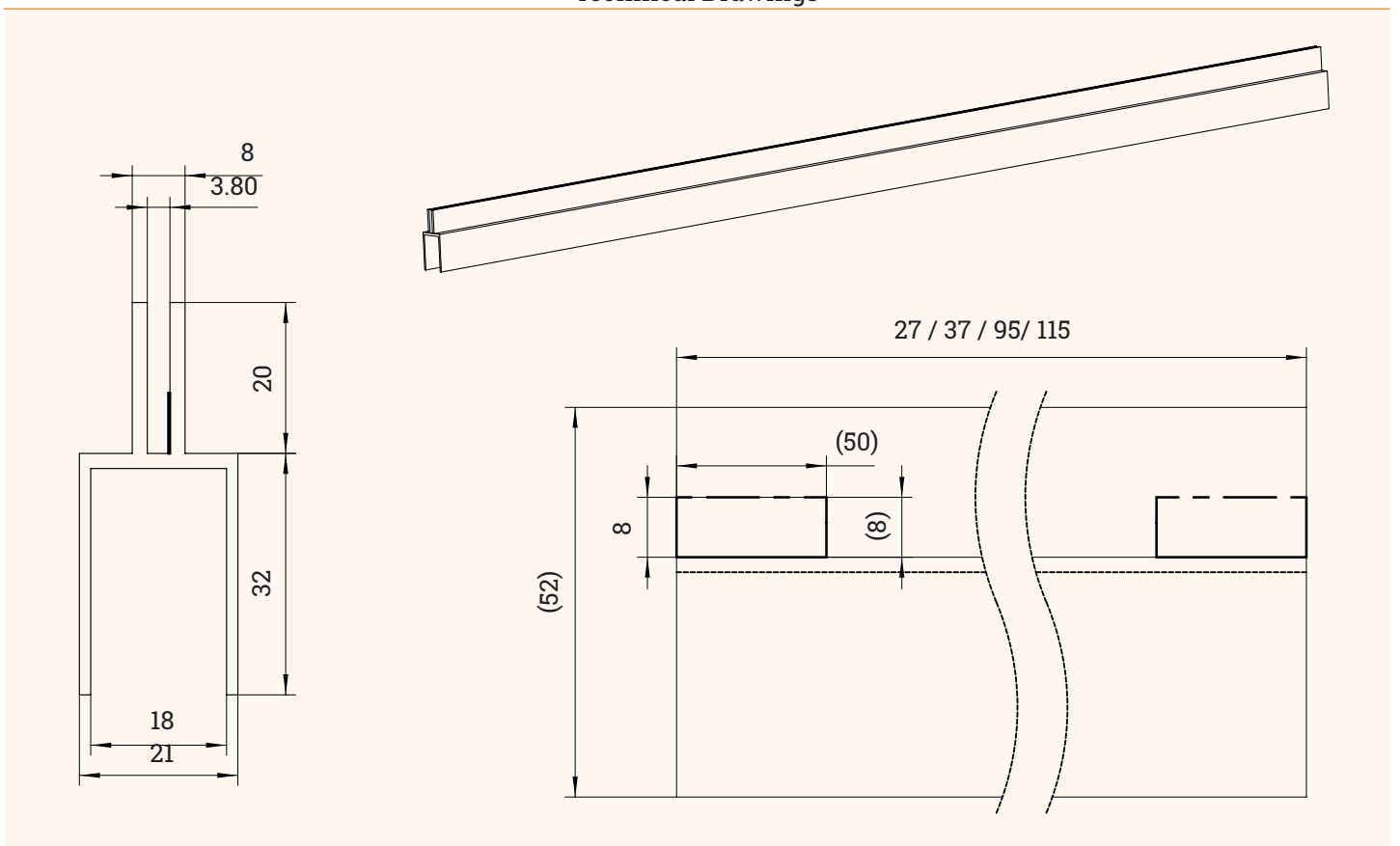
SOLIDO TC 27 / 37 / 95 / 115

Slide-on Acryl panel holder for our AKUSTIX Vario elements

- ✓ Acrylic glass holder for attaching to our 18 mm AKUSTIX elements
- ✓ In the lengths 27 / 37 / 95 or 115 cm available
- ✓ Easy installation by simply clipping on the bracket
- ✓ For acrylic glass panels with a thickness of 3 mm



Technical Drawings



Article	Description	Width (mm)	Colour	Item No.
2x SOLIDO TC 27	2x Slide-on Acryl panel holder for 18 mm AKUSTIX panels	270	Aluminium	308 124500
2x SOLIDO TC 37	2x Slide-on Acryl panel holder for 18 mm AKUSTIX panels	370	Aluminium	308 124507
SOLIDO TC 95	Slide-on Acryl panel holder for 18 mm AKUSTIX panels	950	Aluminium	308 124514
SOLIDO TC 115	Slide-on Acryl panel holder for 18 mm AKUSTIX panels	1150	Aluminium	308 124521