

1. TABLE FRAMES

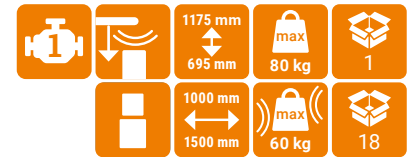
**with 4 memory
keys and related
accessories**

E-MORE 1M2S

Electrical height adjustable table frame



- ✓ 1 motor / 2 segments
- ✓ Handset with 4 memory keys
- ✓ Anti collision function



5 years warranty



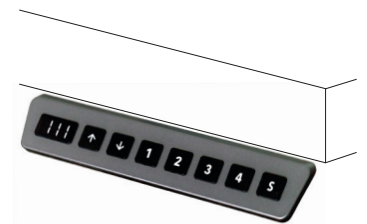
Details

Frame

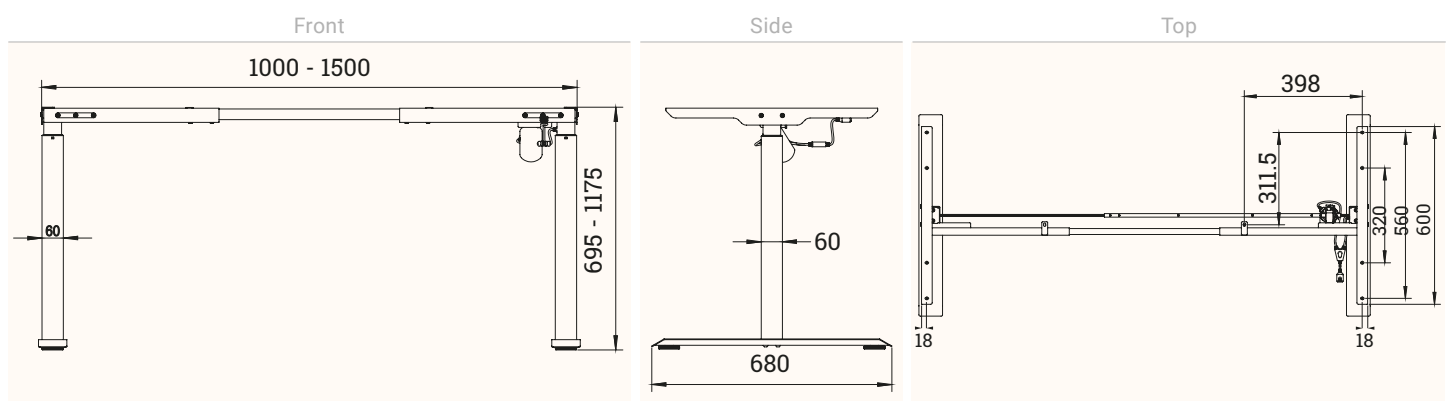
Anti-Collision
 Dynamic load: 60 kg max
 Static load: 80 kg max
 Speed: 25 mm/s
 Sound level: <50 db
 Stroke: 695–1175 mm
 Frame width: 1000–1500 mm
 Table-top size min.: 600x1000 mm
 Table-top size max.: 1000x1700 mm

Electrical Components / Handset

Input Voltage: 100 – 240 V
 built-in load limit switch
 Duty cycle: 10 % max. 2 min on,
 18 min off
 Low energy consumpt.: automatic power off
 Display: digital
 Memory keys: 4



Technical Drawings



Article	Description	Colour	Item No.
E-MORE 1M2S	Electrical height adjustable table frame, 1 motor, 2 segments, #4888.181	White aluminium, RAL 9006	301 109261
E-MORE 1M2S	Electrical height adjustable table frame, 1 motor, 2 segments, #4888.182	Pure white, RAL 9010	301 121294
E-MORE 1M2S	Electrical height adjustable table frame, 1 motor, 2 segments, #4888.183	Traffic black, RAL 9017	301 121301
E-MORE 1M2S	Electrical height adjustable table frame, 1 motor, 2 segments	Anthracite, RAL 7016	301 129029

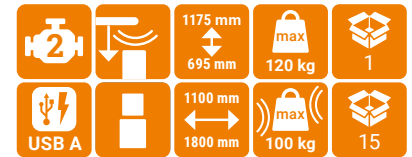


E-MORE 2M2S

Electrical height adjustable table frame



- ✓ 2 Motors / 2 segments
- ✓ Handset with integrated USB-charging function
- ✓ 4 memory keys
- ✓ Anti collision function



5 years warranty



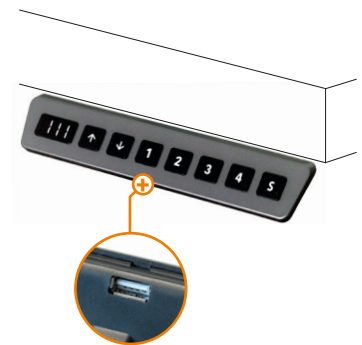
Details

Frame

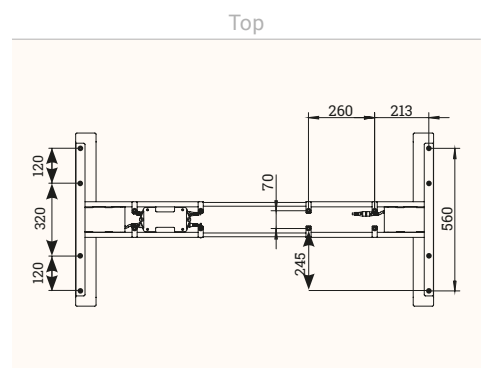
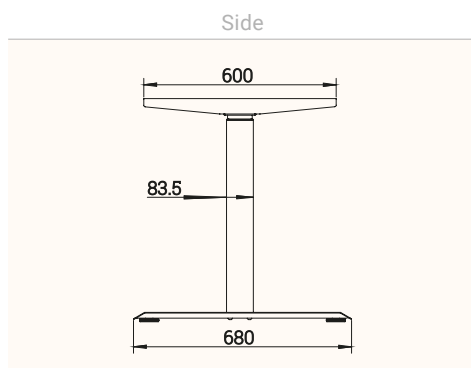
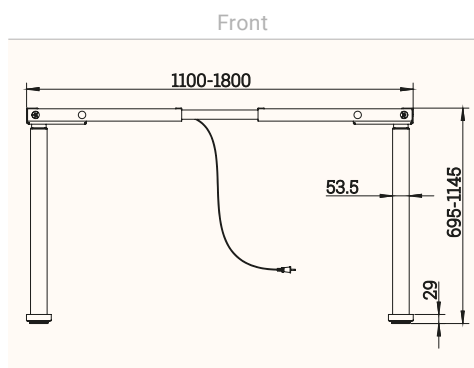
Anti-Collision
 Built-in load limit switch
 Dynamic load: 100 kg max
 Static load: 120 kg max
 Speed: 32 mm/s
 Sound level: <42 db
 Stroke: 695–1145 mm
 Frame width: 1100–1800 mm
 Table-top size min.: 600x1100 mm
 Table-top size max.: 1000x2000 mm

Electrical Components / Handset

Input Voltage: 100 – 240 V, built-in load limit switch
 Duty cycle: 10 % max. 2 min on, 18 min off
 Low energy consumpt.: automatic power off
 Display: digital
 Memory keys: 4
 USB charging function: rear of handset
 5 W



Technical Drawings



Article	Description	Colour	Item No.
E-MORE 2M2S	Electrical height adjustable table frame, 2 motors, 2 segments, #4888.121	White aluminium, RAL 9006	301 109219
E-MORE 2M2S	Electrical height adjustable table frame, 2 motors, 2 segments, #4888.122	Pure white, RAL 9010	301 109247
E-MORE 2M2S	Electrical height adjustable table frame, 2 motors, 2 segments, #4888.123	Traffic black, RAL 9017	301 109254
E-MORE 2M2S	Electrical height adjustable table frame, 2 motors, 2 segments	Anthracite, RAL 7016	301 129015
BOXIT E-MORE	Cable canal, optional accessory for the table-frame	White aluminium, RAL 9006	203 108904
BOXIT E-MORE	Cable canal, optional accessory for the table-frame	Pure white, RAL 9010	203 108911
BOXIT E-MORE	Cable canal, optional accessory for the table-frame	Traffic black, RAL 9017	203108918

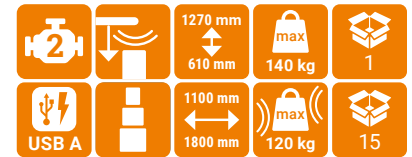


E-MORE 2M3S

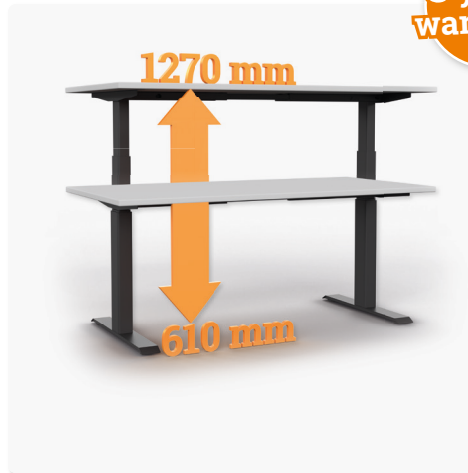
Electrical height adjustable table frame



- ✓ 2 motors / 3 segments
- ✓ Handset with integrated USB-charging function
- ✓ 4 memory keys
- ✓ Anti collision function



5 years warranty



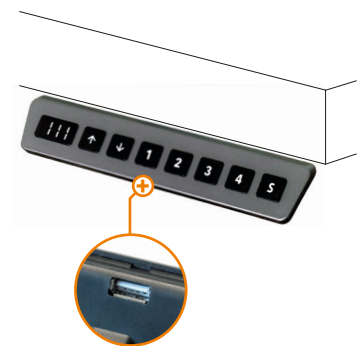
Details

Frame

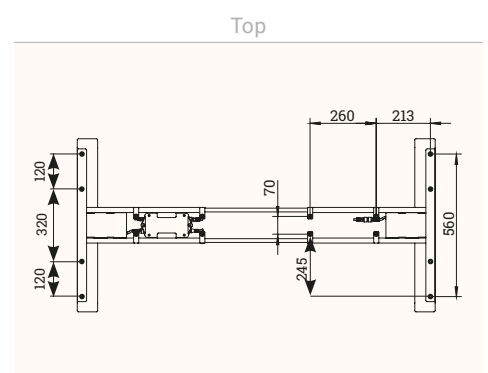
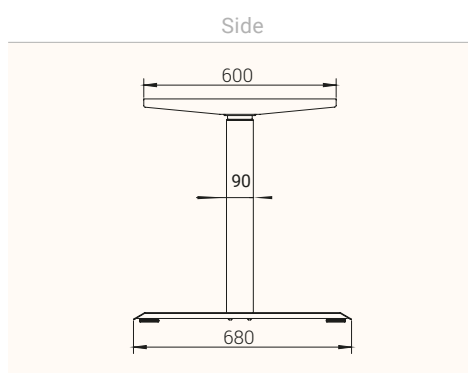
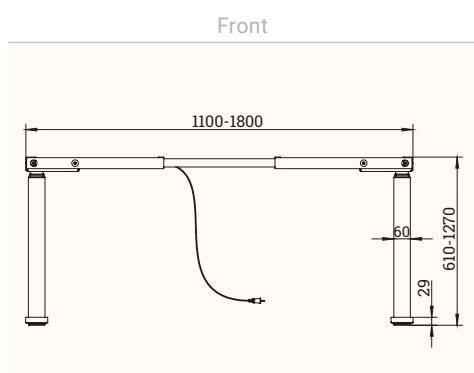
Anti-Collision
 Built-in load limit switch
 Dynamic load: 120 kg max
 Static load: 140 kg max
 Speed: 40 mm/s
 Sound level: <42 db
 Stroke: 610-1270 mm
 Frame width: 1100-1800 mm
 Table-top size min.: 600x1100 mm
 Table-top size max.: 1000x2000 mm

Electrical Components / Handset

Input Voltage: 100 – 240 V, built-in load limit switch
 Duty cycle: 10 % max. 2 min on, 18 min off
 Low energy consumpt.: automatic power off
 Display: digital
 Memory keys: 4
 USB charging function: rear of handset
 5 W



Technical Drawings



Article	Description	Colour	Item No.
E-MORE 2M3S	Electrical height adjustable table frame, 2 motors, 3 segments, #4888.111	White aluminium, RAL 9006	301 109198
E-MORE 2M3S	Electrical height adjustable table frame, 2 motors, 3 segments, #4888.112	Pure white, RAL 9010	301 109205
E-MORE 2M3S	Electrical height adjustable table frame, 2 motors, 3 segments, #4888.113	Traffic black, RAL 9017	301 109212
E-MORE 2M3S	Electrical height adjustable table frame, 2 motors, 3 segments	Anthracite, RAL 7016	301 129036
BOXIT E-MORE	Cable canal, optional accessory for the table-frame	White aluminium, RAL 9006	203 108904
BOXIT E-MORE	Cable canal, optional accessory for the table-frame	Pure white, RAL 9010	203 108911
BOXIT E-MORE	Cable canal, optional accessory for the table-frame	Traffic black, RAL 9017	203108918



E-CORNER 90

Electrical height adjustable table frame



- ✓ 3 Motors / 3 segments
- ✓ Handset with integrated USB-charging function
- ✓ 4 memory keys
- ✓ Anti collision function



5 years warranty



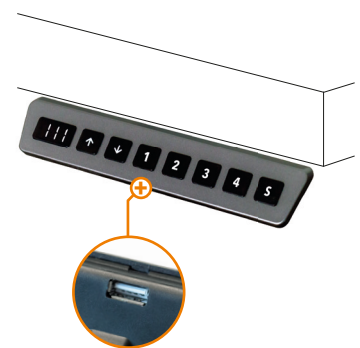
Details

Frame

Anti-Collision Built-in load limit switch
 Dynamic load: 160 kg max
 Static load: 180 kg max
 Speed: 30 mm/s
 Sound level: <42 db
 Stroke: 610 – 1270 mm
 Frame width: 1100 – 1800 mm
 Table top size min.:
 1 700x1000 mm
 2 400x1278 mm
 Table top size max.:
 1 1000x1800 mm
 2 1000x2048 mm

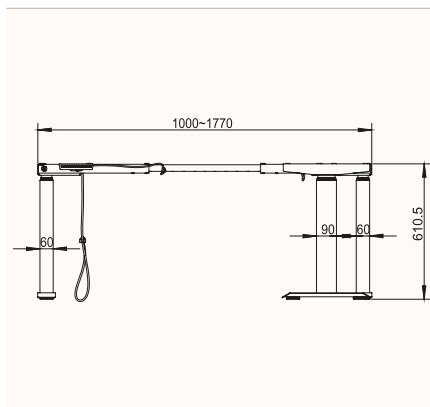
Electrical Components / Handset

Input Voltage: 100 – 240 V
 built-in load limit switch
 Duty cycle: 10 % max. 2 min on, 18 min off
 Low energy consumpt.: automatic power off
 Display: digital
 Memory keys: 4
 USB charging function: rear of handset
 5 W

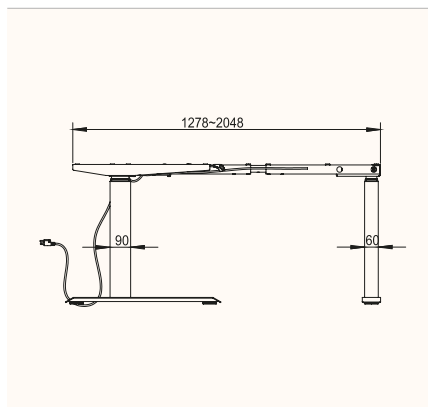


Technical Drawings

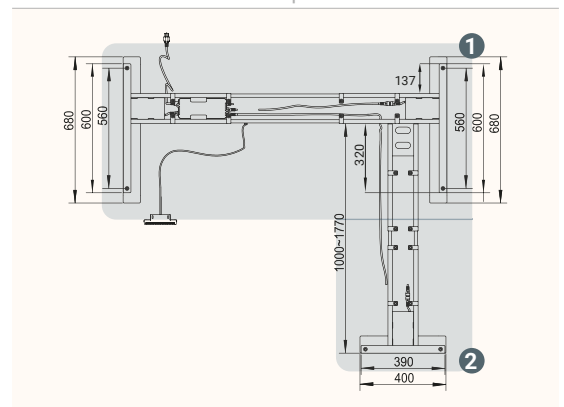
Front



Side



Top



Article	Description	Colour	Item No.
E-CORNER 90	Electrical height adjustable table frame, 3 motors, 3 segments, #4888.111	White aluminium, RAL 9006	301 122512
E-CORNER 90	Electrical height adjustable table frame, 3 motors, 3 segments, #4888.112	Pure white, RAL 9010	301 122519
E-CORNER 90	Electrical height adjustable table frame, 3 motors, 3 segments, #4888.113	Traffic black, RAL 9017	301 122526
E-CORNER 90	Electrical height adjustable table frame, 3 motors, 3 segments	Anthracite, RAL 7016	301 129022
BOXIT E-MORE	Cable canal, optional accessory for the table-frame	White aluminium, RAL 9006	203 108904
BOXIT E-MORE	Cable canal, optional accessory for the table-frame	Pure white, RAL 9010	203 108911
BOXIT E-MORE	Cable canal, optional accessory for the table-frame	Traffic black, RAL 9017	203108918



BOXIT E-MORE W

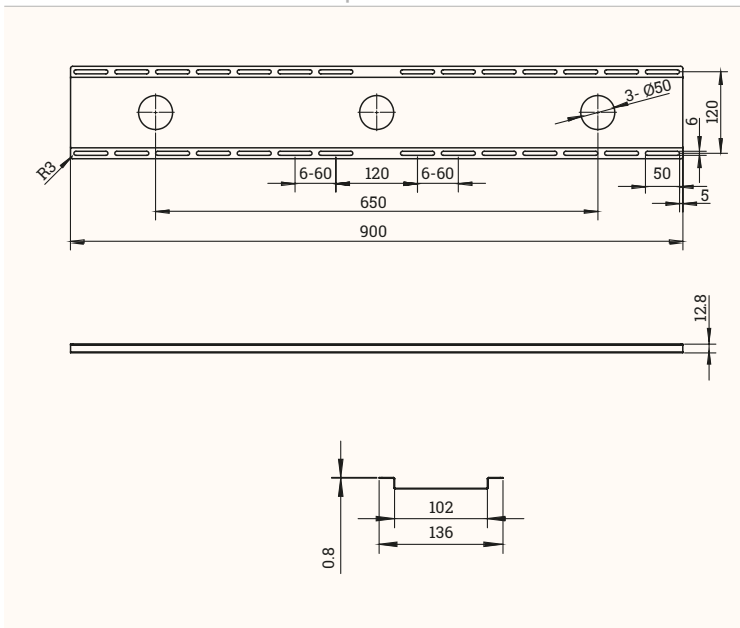
The elegant cable tray, a perfect complement

- ✔ Optional accessory for our models E-MORE 2M2S, 2M3S and E-CORNER 90
- ✔ Fits directly on the beams, no space wasted
- ✔ In 3 different colours available

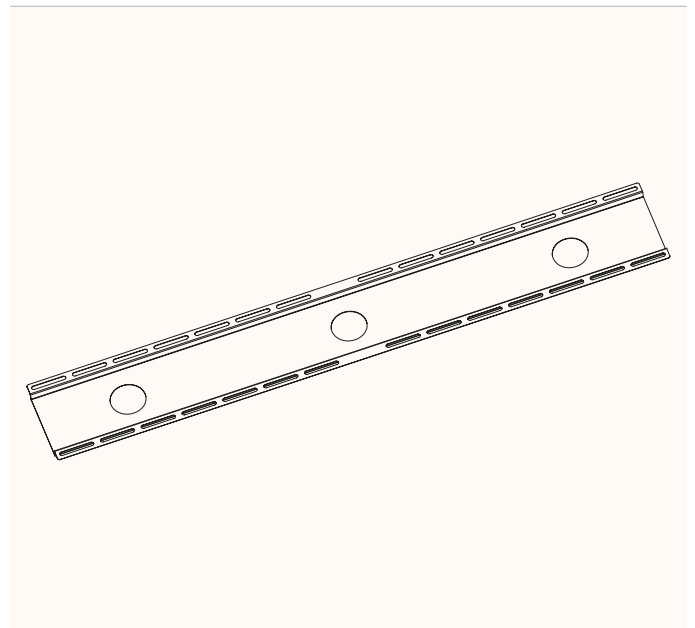


Technical Drawings

Top / Side



Alternative View



Article	Description	Colour	Item No.
BOXIT E-MORE W	Cable tray for table-frame, steel	similar White aluminium, RAL 9006	203 108904
		similar Pure white, RAL 9010	203 108911
		similar Traffic black, RAL 9017	203 108918

E-MORE Plus L W

Accessory: Beam for frame extension



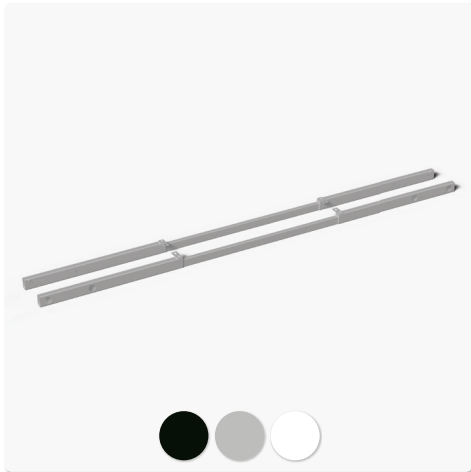
- ✓ Optional accessory for our models E-MORE 2M2S, 2M3S and E-CORNER 90
- ✓ Allows tabletop size to be extended to a width of 1800-2400mm
- ✓ Enables retrofitting - a subsequent extension of the basic product
- ✓ Ideal for use in large workplaces
- ✓ 2x telescopic beam consisting of 3 elements each

2 Set

1

1800 mm

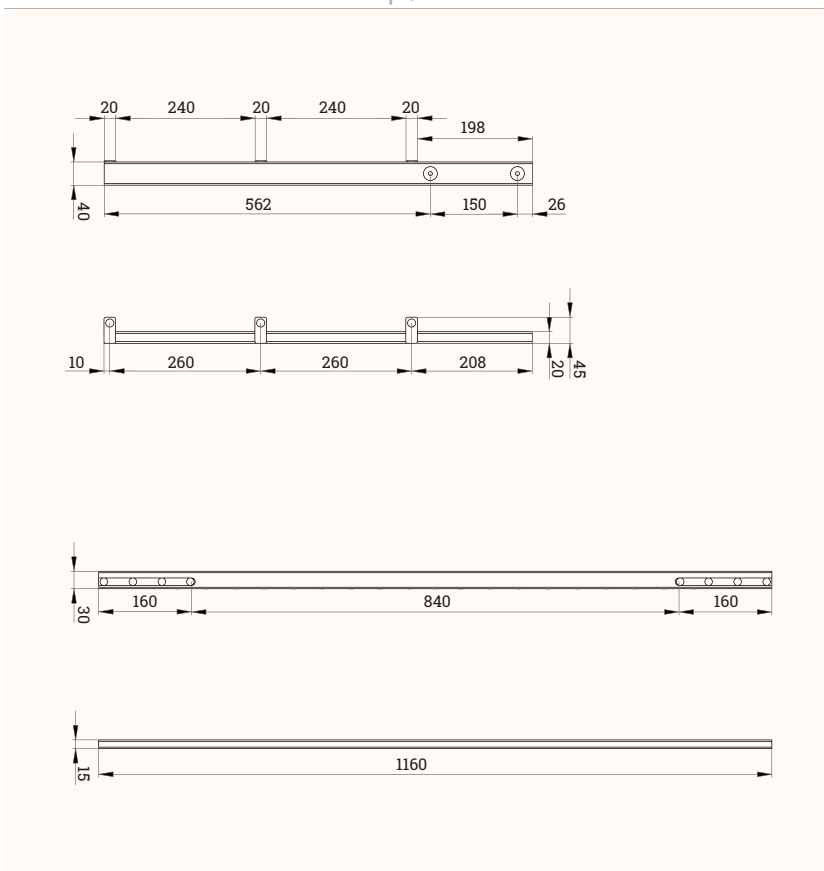
2400 mm



Technical Drawings

Top / Side

Alternative View



Article	Description	Colour	Item No.
E-MORE Plus L W	2x 3-part beam extension for table sizes with a width from 1800-2400mm	similar Pure white, RAL 9010	301 124367
		similar Traffic black, RAL 9017	301 124374
		similar White aluminium, RAL 9006	301 124360



E-MORE Plus CORNER eco W

Side extension kit: Side bracket and table foot for frame extension

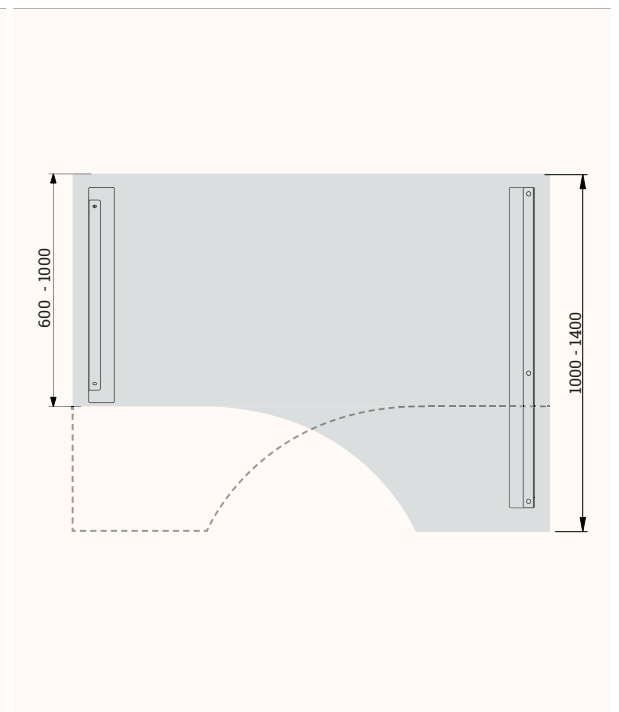
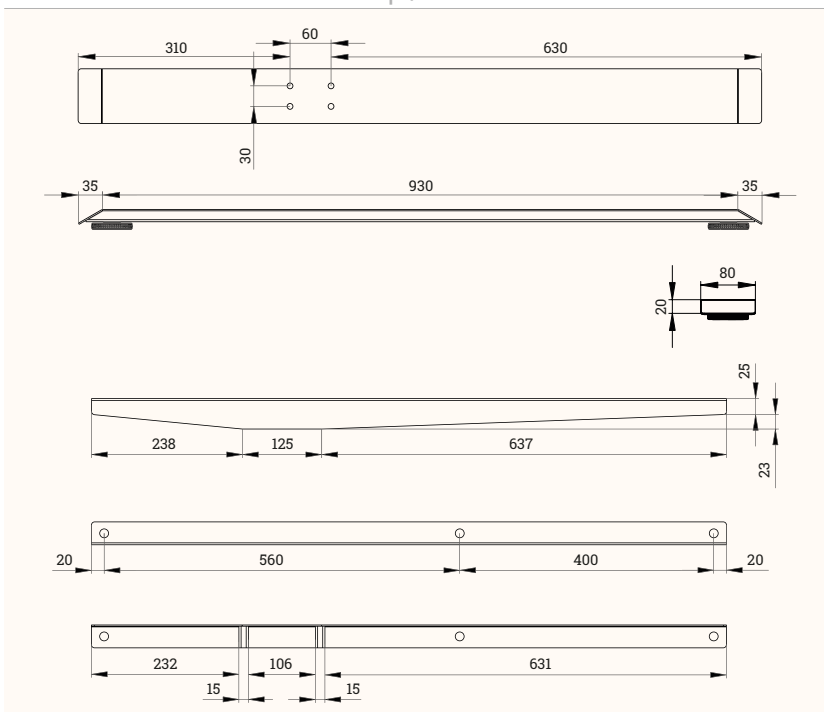
- ✔ Optional accessory for our models E-MORE 2M2S, 2M3S and E-CORNER 90
- ✔ Enables curved table tops by extending the frame left/right
- ✔ Enables retrofitting - a subsequent extension of the basic product
- ✔ Ideal for use with curved table tops



Technical Drawings

Top / Side

Alternative View



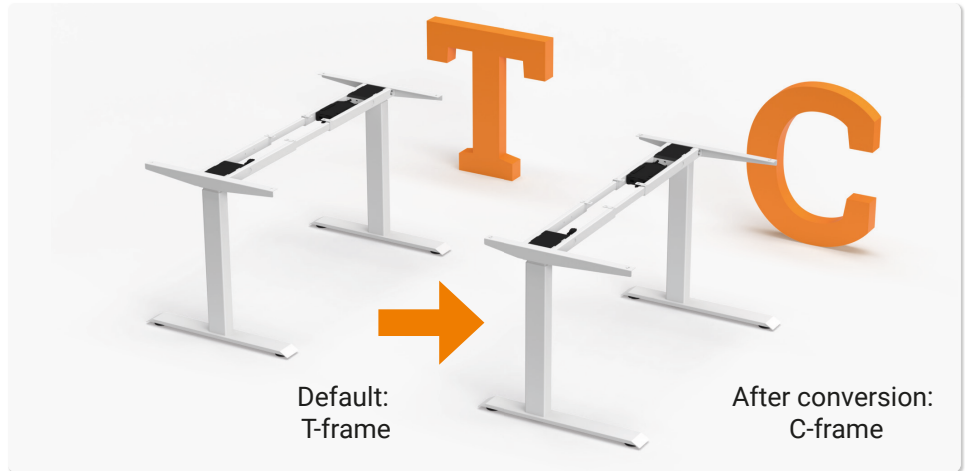
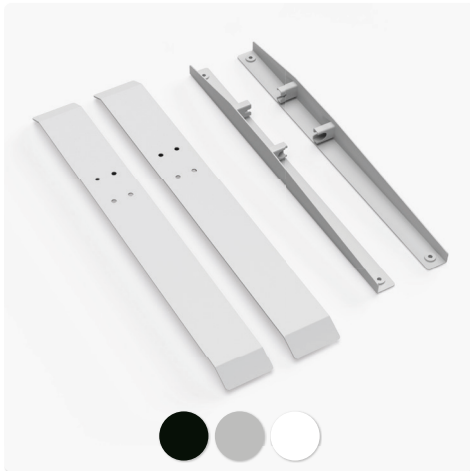
Article	Description	Colour	Item No.
E-MORE Plus CORNER eco W, right	Side extension set for the use of curved table tops, consisting of 1 table-foot (1000 mm) and 1 side bracket, right (1000 mm)	similar Pure white, RAL 9010	302 127720
		similar Traffic black, RAL 9017	302 127727
		similar White aluminium, RAL 9006	302 127713
E-MORE Plus CORNER eco W, left	Side extension set for the use of curved table tops, consisting of 1 table-foot (1000 mm) and 1 side bracket, left (1000 mm)	similar Pure white, RAL 9016	302 127741
		similar Traffic black, RAL 9005	302 127748
		similar White aluminium, RAL 9006	302 127734

E-MORE Plus CRE W

Conversion kit: table feet and side brackets for a frame conversion



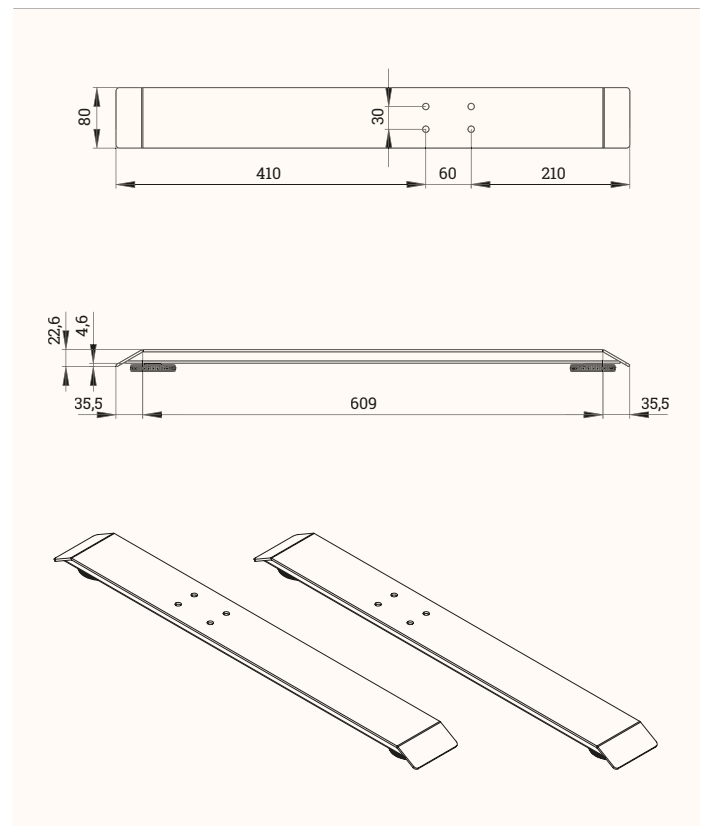
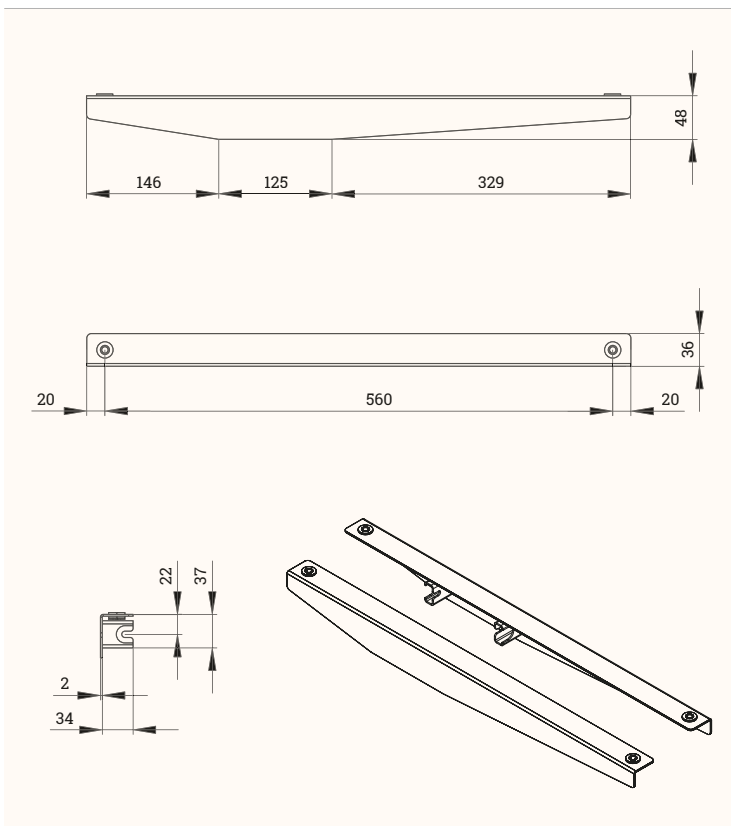
- ✓ Optional accessory for our models E-MORE 2M2S, 2M3S and E-CORNER 90
- ✓ Conversion set to convert existing table models with T-frame into C-models
- ✓ Enables retrofitting - a subsequent extension of the basic product
- ✓ Well suited to optimize a frame for special applications



Technical Drawings

Bracket

Foot



Article	Description	Colour	Item No.
E-MORE Plus CRE W	Conversion kit consisting of 2 table feet and 2 side brackets (type C)	similar Pure white, RAL 9010	302 127496
		similar Traffic black, RAL 9017	302 127489
		similar White aluminium, RAL 9006	302 127482



E-CORNER Plus 90 W

Side abridgment kit: beam for side shortening



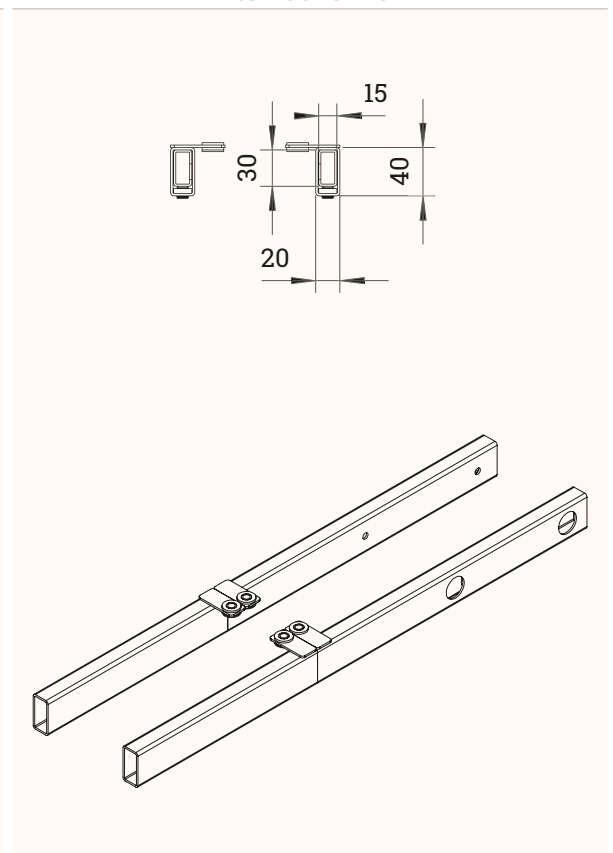
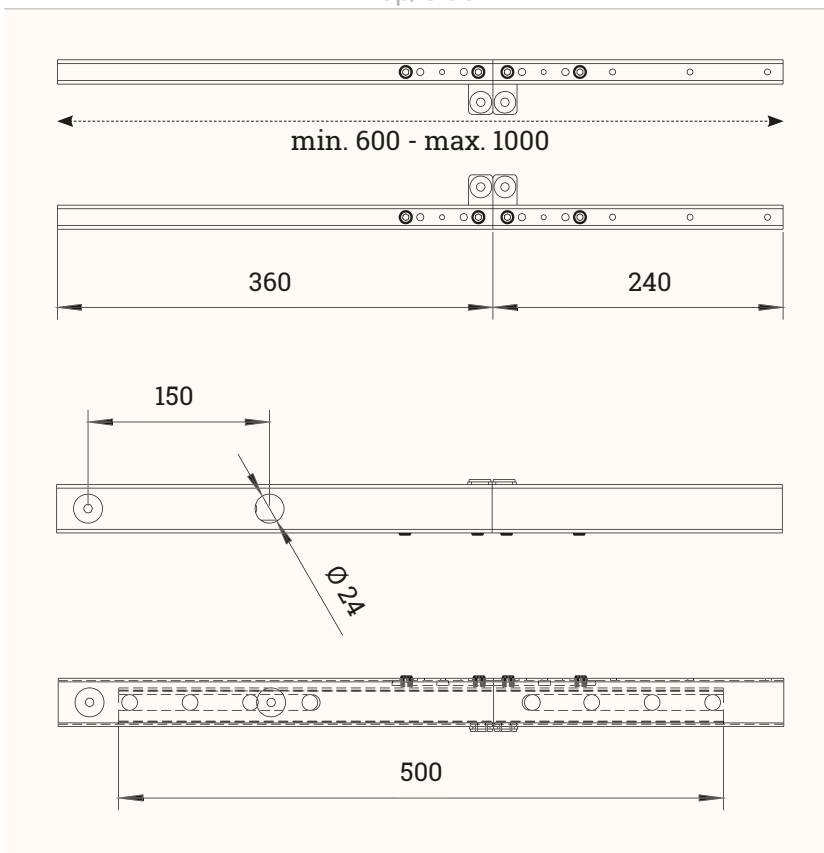
- ✓ Optional accessory for the E-CORNER 90 model
- ✓ Allows side beams to be reduced to a width of 600-1000 mm
- ✓ Enables retrofitting - a subsequent extension of the basic product
- ✓ Ideal for using the E-CORNER 90 in small areas



Technical Drawings

Top/Side

Alternative View



Article	Description	Colour	Item No.
E-CORNER Plus 90 W	Side abridgment set for shortening the beam of the E-CORNER 90, consisting of 2 beams, short (600 - 1000 mm)	sim. Pure white, RAL 9010	302 127853
		sim. Traffic black, RAL 9017	302 127839
		sim. White aluminium, RAL 9006	302 127846

