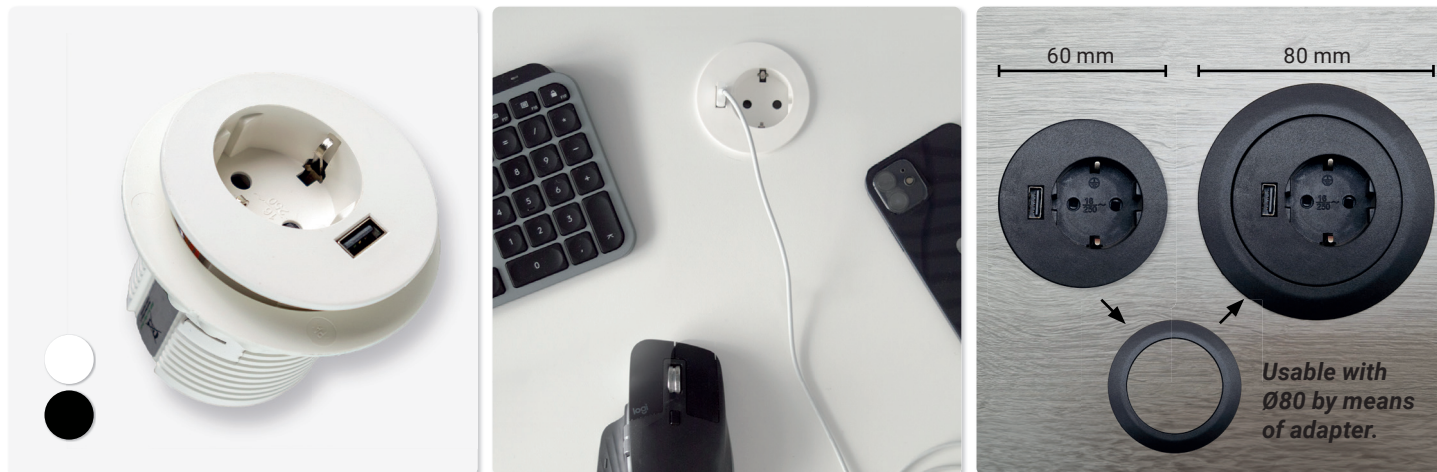


EXIT Spot 60

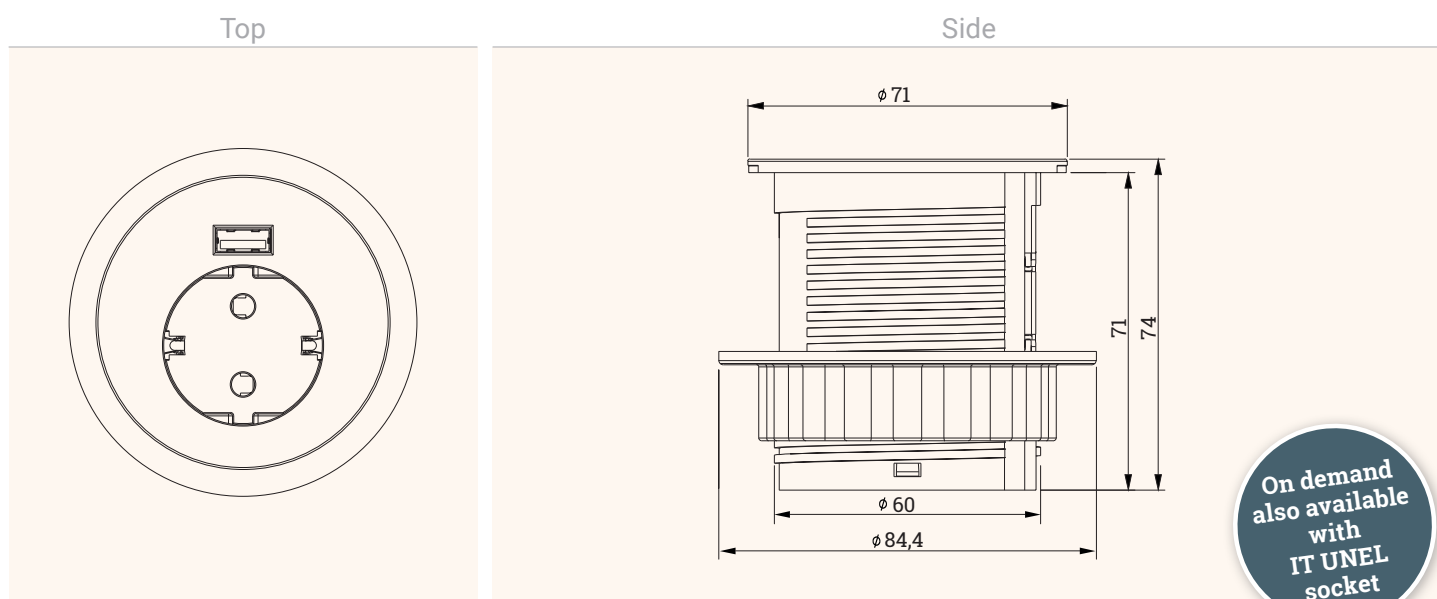
Ø60 mm Multifunctional socket with USB-Charging



- ✓ With power socket and USB-A-Charging
- ✓ Available in different country standards (GB, DE, FR)
- ✓ Inlet diameter of 60 mm -0 +1
- ✓ Can be used for 80 mm cutout by means of an adapter
- ✓ With 1,5 meter powercord



Technical Drawings



Article	Description	Country	Colour	Item No.	
EXIT Spot	Multifunctional socket with 1 power socket and 1 cable outlet, 1,5 m powercord	DE	Black	205 108533	
		DE	White	205 108554	
	Multifunctional socket with 1 power socket and 1 USB-A-Charging slot, 1,5 m powercord	DE	Black	205 108540	
		GB	White	205 107651	
	Adapter	EXIT Spot, Ø60 mm adapter for hole: Ø80 mm	GB	Black	205 107658
			FR	White	205 107609
	Adapter	EXIT Spot, Ø60 mm adapter for hole: Ø80 mm	FR	Black	205 108232
				White	205 129897
			Black	205 129890	

