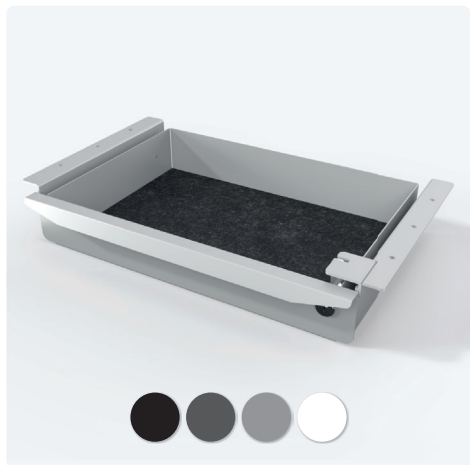


Lockable drawer for many different table models

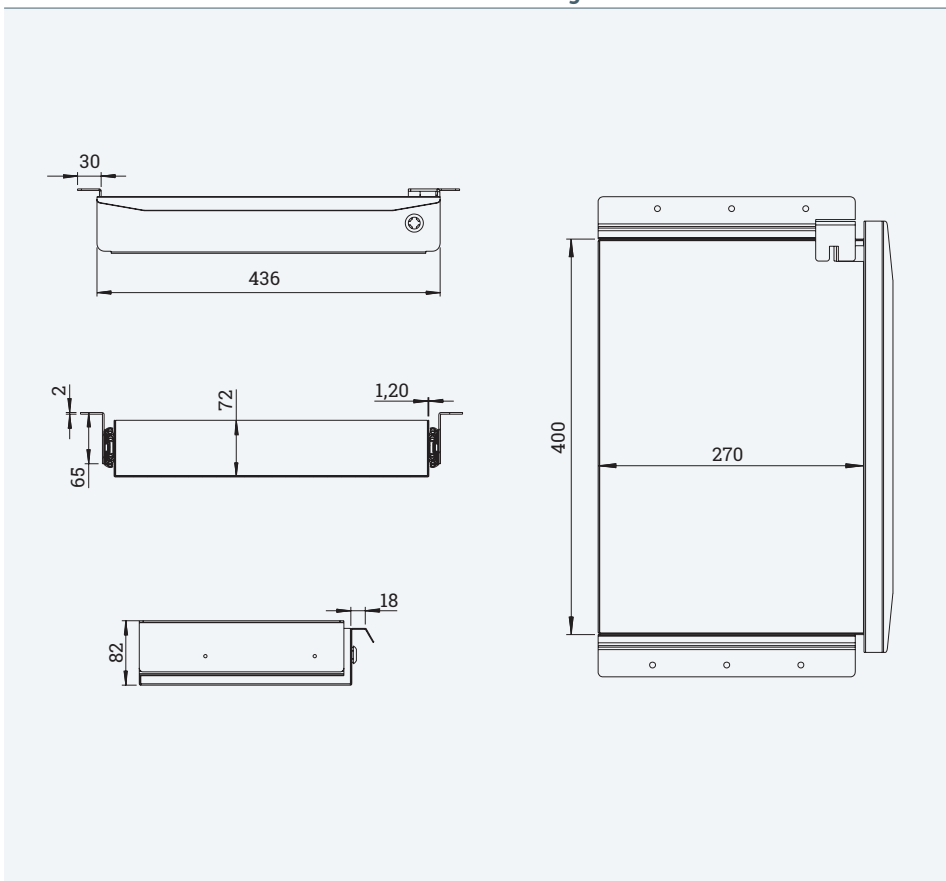
- ✔ Can be mounted directly to the table-top
- ✔ Lockable, for secure storage
- ✔ In 4 colours available (white, silver, black, anthracite), incl. felt inlay (anthracite)
- ✔ Quick & easy mounting
- ✔ Drawer with ball bearing full-extension



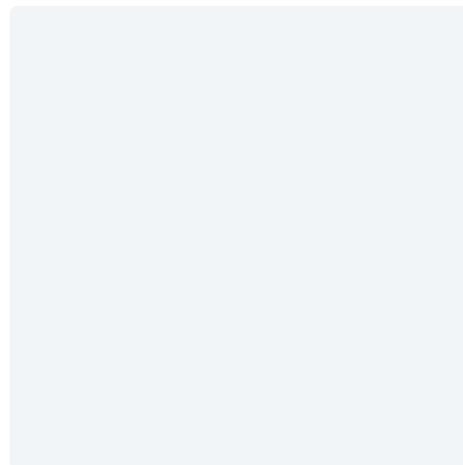
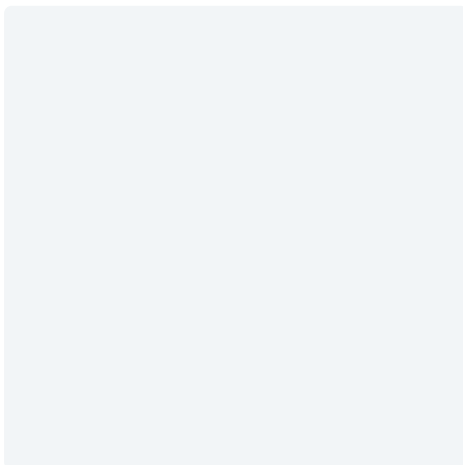
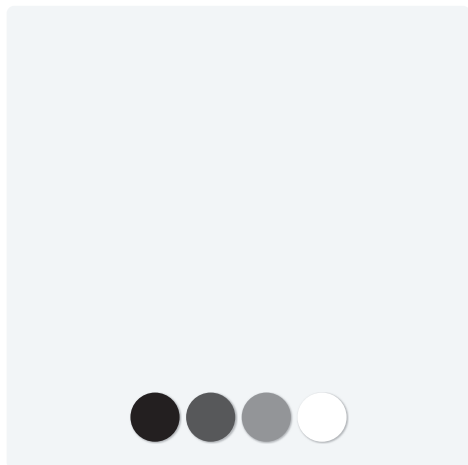
Details

Width	400 mm
Depth	270 mm
Height	75 mm
Material	Steel
Surface	Powercoated

Technical drawings



Article	Description	Colour	Item No.
STORIT	Drawer, lockable, for assembly under the table-top, steel, powercoated	RAL 9017, Traffic black	319 126803
		RAL 7016, Anthracite grey	319 130268
		RAL 9006, White aluminium	319 126796
		RAL 9010, Pure White	319 126810



Details

Motors

Lifting column segm.

Column cross-section

Lifting range

Frame width

Table top size min

Table top size max

Load capacity

Memory keys

USB charging

Speed

Anti collision function

Reminder function

Child lock

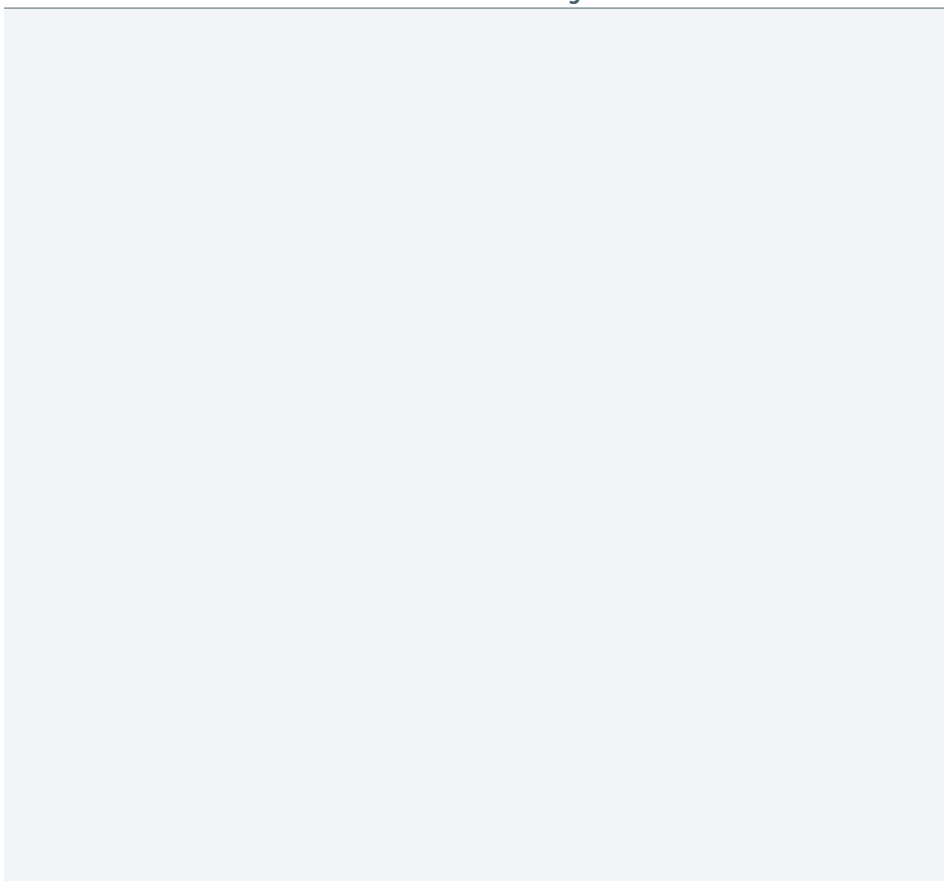
Sound level

Power consumpt. min

Power consumpt. max

Duty cycle

Technical drawings



Bezeichnung	Beschreibung	Farbe	Artikel-Nr.
		RAL 9017, Traffic black	
		RAL 7016, Anthracite grey	
		RAL 9006, White aluminum	
		RAL 9010, Pure white	