

**Manually
adjustable table
frames**

Manually height-adjustable table frame

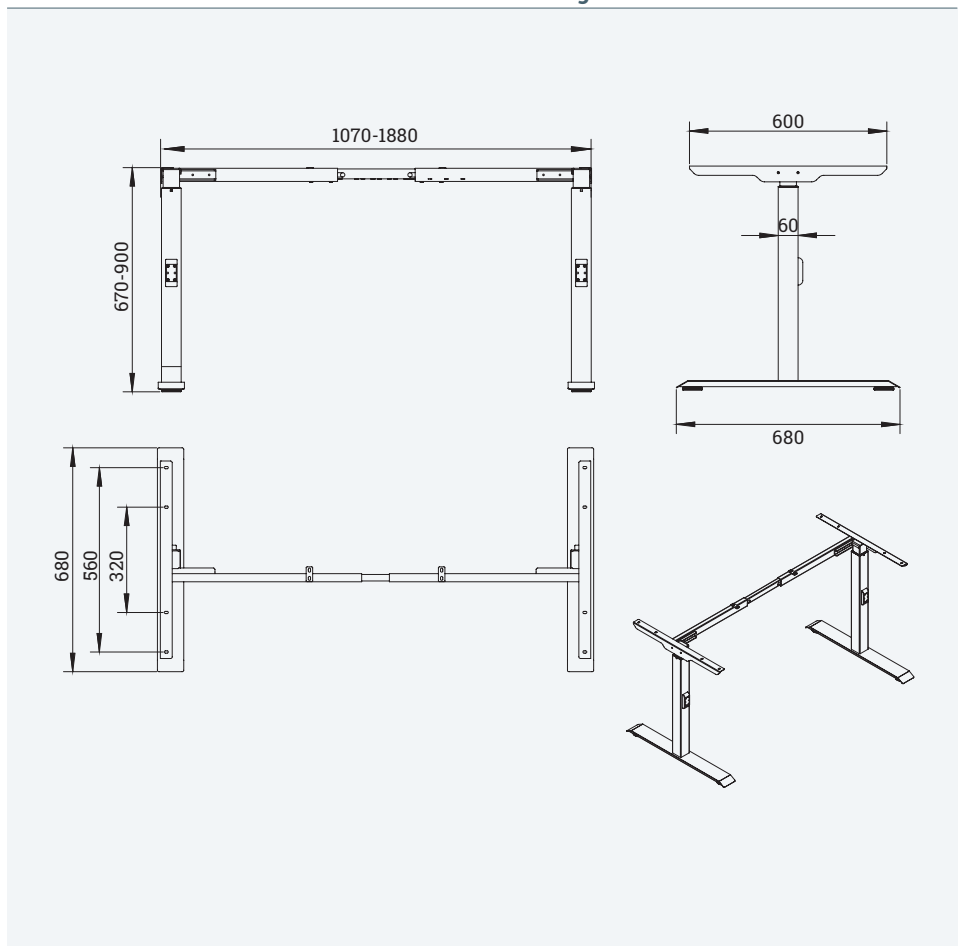
- ✔ With locking function against inadvertent adjustment / child protection
- ✔ 5 year warranty



Details

Lifting column segm.	2
Column cross-section	60x60 mm
Lifting range	670-900 mm
Grid dimension	20 mm
Frame width	1070-1880 mm
Table top size min	680x1070 mm
Table top size max	1000x2000 mm
Load capacity	80 kg

Technical drawing



Video



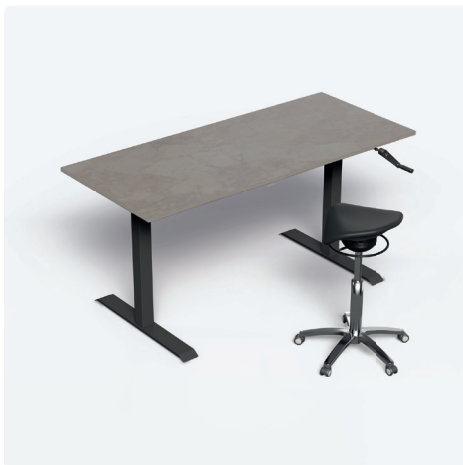
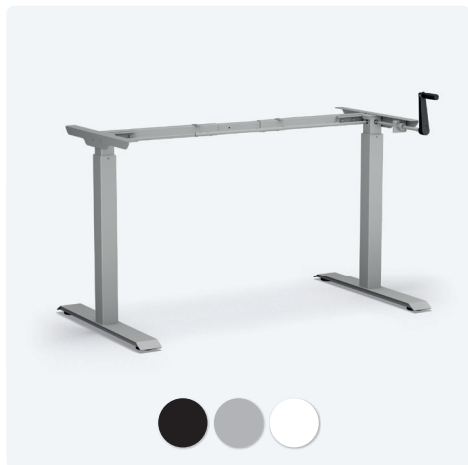
Article	Description	Colour	Item No.
M-MORE	Manually height adjustable table frame, T-frame, square lifting column (60x60 mm), loading capacity: 80 kg, Grid dimension: 20 mm	RAL 9017, Traffic black	301 122568
		RAL 9006, White aluminium	301 122561
		RAL 9010, Pure White	301 122575

M-SMART Spin



Manually height-adjustable table frame with speed crank

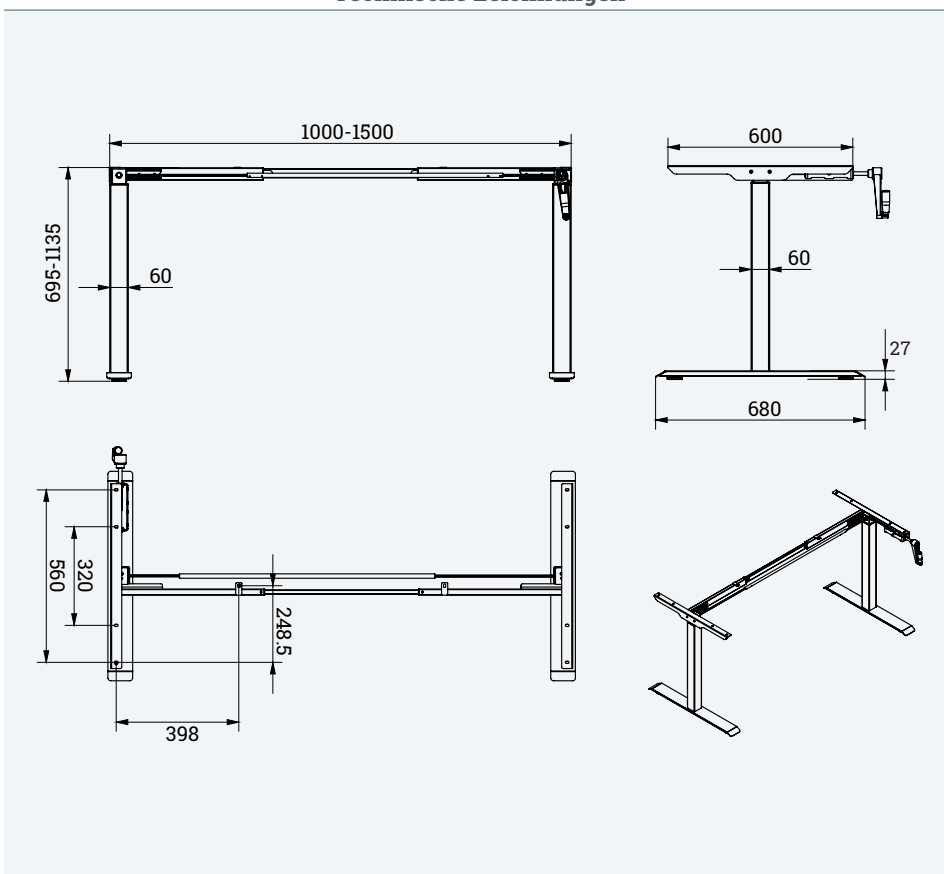
- ✓ Hand crank for height adjustment
- ✓ Hand crank can be folded in under the table top
- ✓ Square lifting columns
- ✓ 5 years warranty



Details

Lifting column segm.	2
Column cross-section	60x60 mm
Lifting range	695-1135 mm
Frame width	1000-1500 mm
Table top size min	600x1000 mm
Table top size max	800x1600 mm
Load capacity	70 kg
Speed	12 mm/round

Technische Zeichnungen



Article	Description	Colour	Item No.
M-SMART Spin	Manual height adjustable table frame, lifting columns: 60x60 mm, 695-1175 mm, 2 segments, loading capacity: 70 kg	RAL 9017, Traffic black	301 132123
		RAL 9006, White aluminium	301 132109
		RAL 9010, Pure white	301 132116

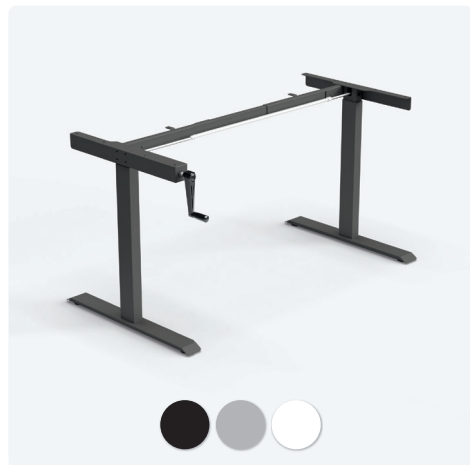


M-MORE Spin pro



Manually height-adjustable table frame with speed crank

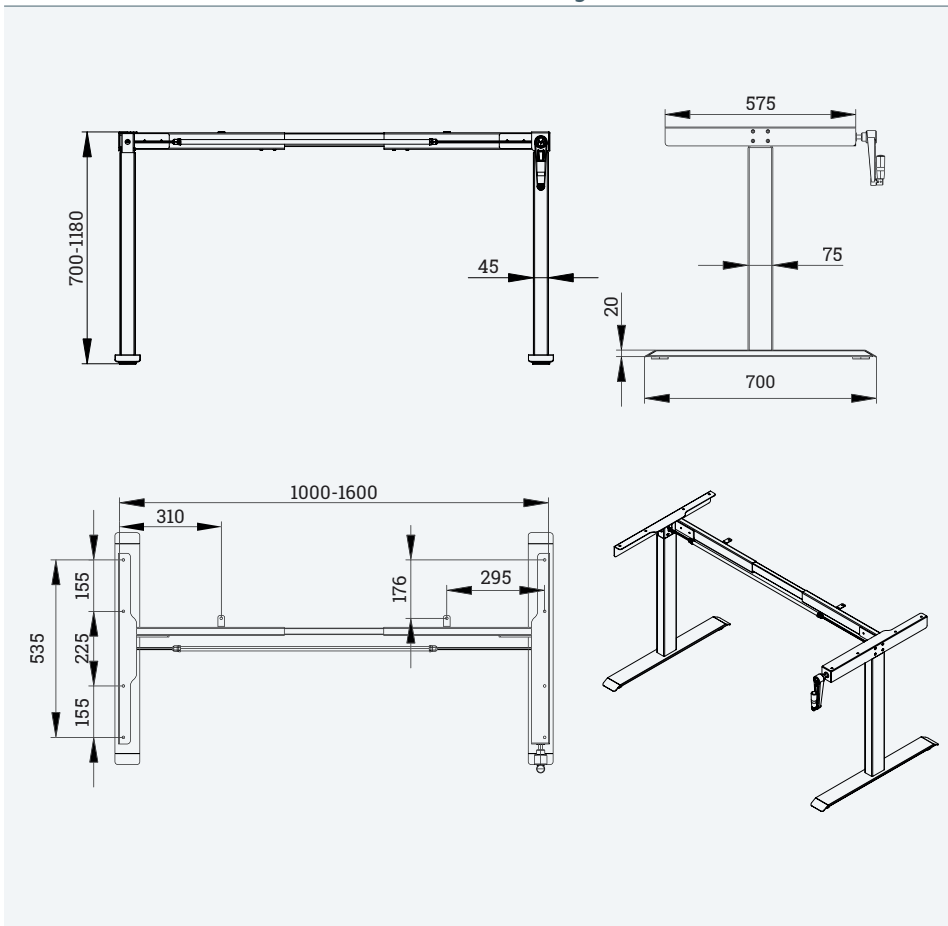
- ✓ Hand crank for height adjustment
- ✓ Hand crank can be folded in under the table top
- ✓ 21 mm height adjustment per crank turn



Details

Lifting column segm.	2
Column cross-section	45x75 mm
Lifting range	700-1180 mm
Frame width	1000-1600 mm
Table top size min	600x1000 mm
Table top size max	800x1800 mm
Load capacity	70 kg
Speed	21 mm / round

Technical drawing



Article	Description	Colour	Item No
M-MORE Spin pro	Manually height adjustable table frame with hand crank, height 700-1180 mm, 21 mm height adjustment per turn, lifting column 45x75 mm	RAL 9017, Traffic black	301 128014
		RAL 9006, White aluminium	301 128007
		RAL 9010, Pure white	301 128021

