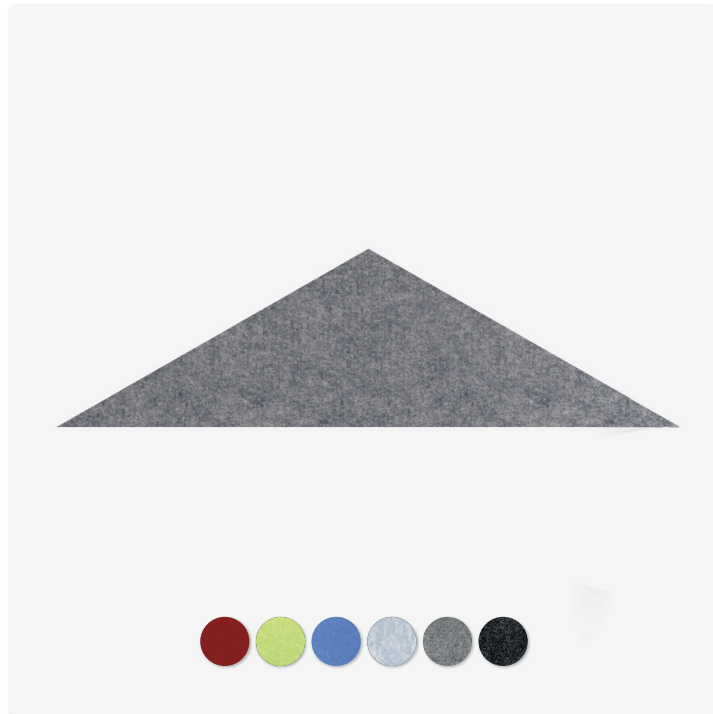


# AKUSTIX Shape #11



Triangular-shaped design element for optimal acoustic protection

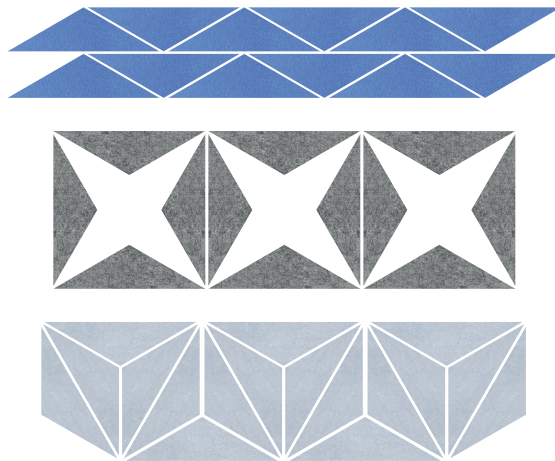
- ✔ PET design panels with high sound absorption capacity
- ✔ Possible combination with other AKUSTIX Shape thanks to the cut dimensions of the panels
- ✔ Perfect to obtain colour accents and good soundproofing



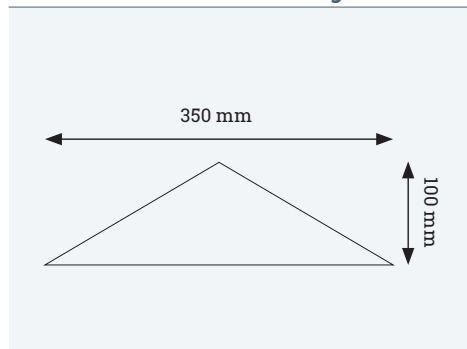
## Details

- Application**
- Double-sided tape
  - Adhesive spray
- Examples**
- Self-adhesive Velcro strips
  - Small screws

## Examples



## Technical Drawings



Article	Description	Height	Width	Thickness	Colour	Item No.
AKUSTIX Shape #11	PET design element, for wall installation, sound absorption level B, 3000g/m <sup>2</sup>	350	100	18	Red, AV25	309 131332
					Light green, AV37	309 128364
					Blue, AV05	309 128385
					Light grey, AV28	309 128371
					Grey, AV18	309 128378
					Anthracite, AV04	309 131325

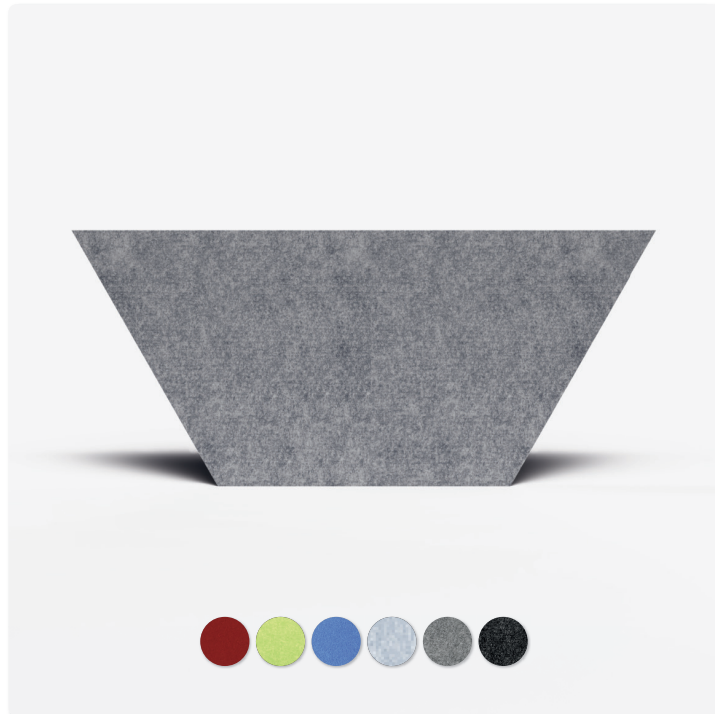


# AKUSTIX Shape #12



Trapezoidal-shaped design element for optimal acoustic protection

- ✔ PET design panels with high sound absorption capacity
- ✔ Possible combination with other AKUSTIX Shape thanks to the cut dimensions of the panels
- ✔ Perfect to obtain colour accents and good soundproofing

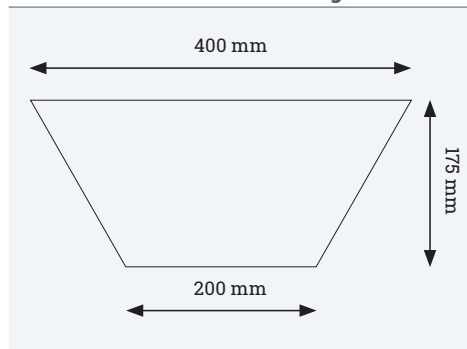


## Details

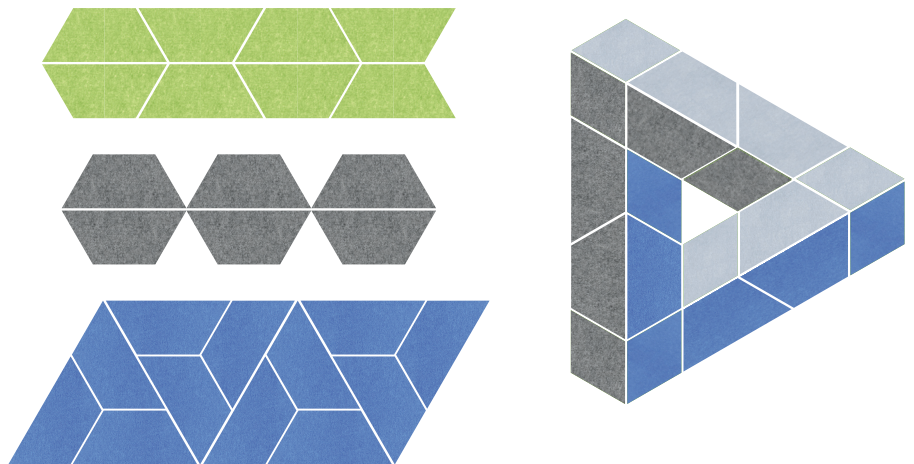
### Application Examples

- Double-sided tape
- Adhesive spray
- Self-adhesive Velcro strips
- Small screws

## Technical Drawings



## Examples



Article	Description	Height	Width	Thickness	Colour	Item No.
AKUSTIX Shape #12	PET design element, for wall installation, sound absorption level B, 3000g/m <sup>2</sup>	175	400	18	Red, AV25	309 131346
					Light green, AV37	309 128392
					Blue, AV05	309 128413
					Light grey, AV28	309 128399
					Grey, AV18	309 128406
					Anthracite, AV04	309 131339

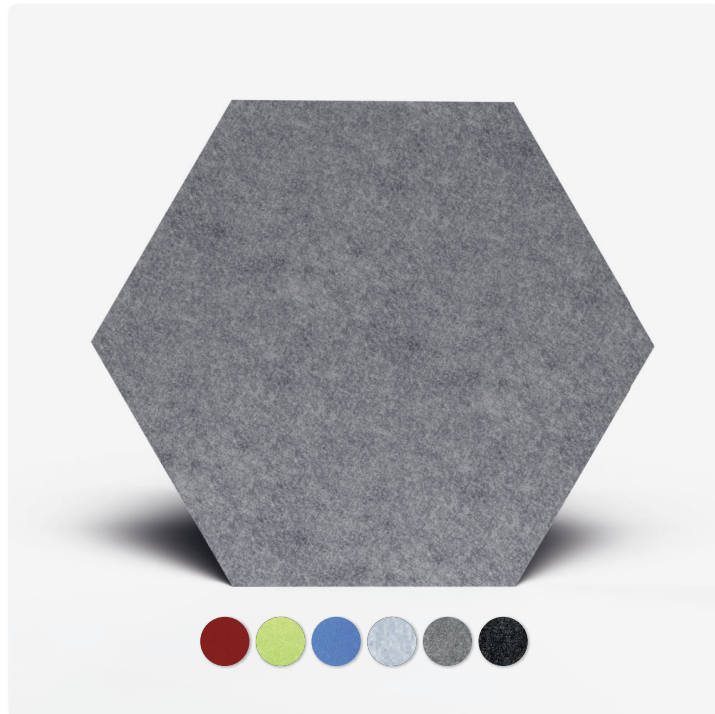


# AKUSTIX Shape #13



Hexagonal-shaped design element for optimal acoustic protection

- ✔ PET design panels with high sound absorption capacity
- ✔ Possible combination with other AKUSTIX Shape thanks to the cut dimensions of the panels
- ✔ Perfect to obtain colour accents and good soundproofing



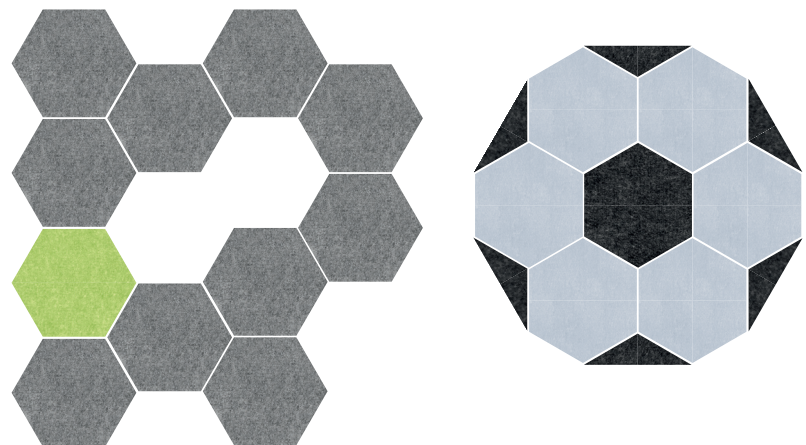
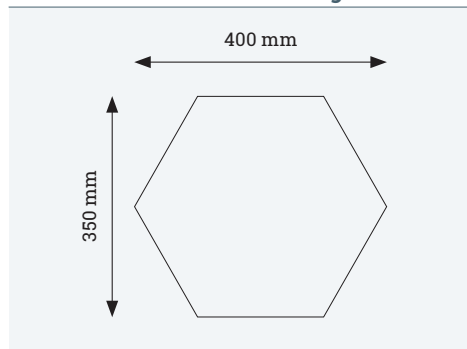
## Details

### Application Examples

- Double-sided tape
- Adhesive spray
- Self-adhesive Velcro strips
- Small screws

## Examples

### Technical Drawings



Article	Description	Height	Width	Thickness	Colour	Item No.
AKUSTIX Shape #13	PET design element, for wall installation, sound absorption level B, 3000g/m <sup>2</sup>	350	400	18	Red, AV25	309 131360
					Light green, AV37	309 128420
					Blue, AV05	309 128441
					Light grey, AV28	309 128427
					Grey, AV18	309 128434
					Anthracite, AV04	309 131353



# AKUSTIX Shape #14



Diamond-shaped design element for optimal acoustic protection

- ✔ PET design panels with high sound absorption capacity
- ✔ Possible combination with other AKUSTIX Shape thanks to the cut dimensions of the panels
- ✔ Perfect to obtain colour accents and good soundproofing

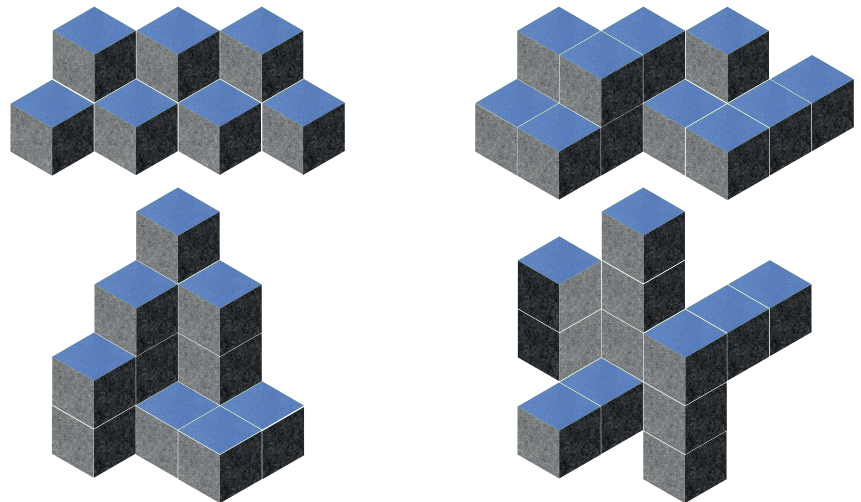


## Details

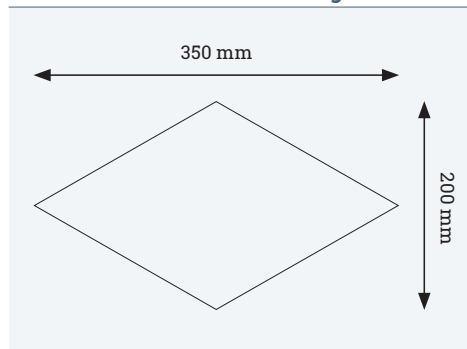
### Application Examples

- Double-sided tape
- Adhesive spray
- Self-adhesive Velcro strips
- Small screws

## Examples



## Technical Drawings



Article	Description	Height	Width	Thickness	Colour	Item No.
AKUSTIX Shape #14	PET design element, for wall installation, sound absorption level B, 3000g/m <sup>2</sup>	200	350	18	Red, AV25	309 131374
					Light green, AV37	309 128448
					Blue, AV05	309 128469
					Light grey, AV28	309 128455
					Grey, AV18	309 128462
					Anthracite, AV04	309 131367

