

SMALL Click

The small PC holder for many table models



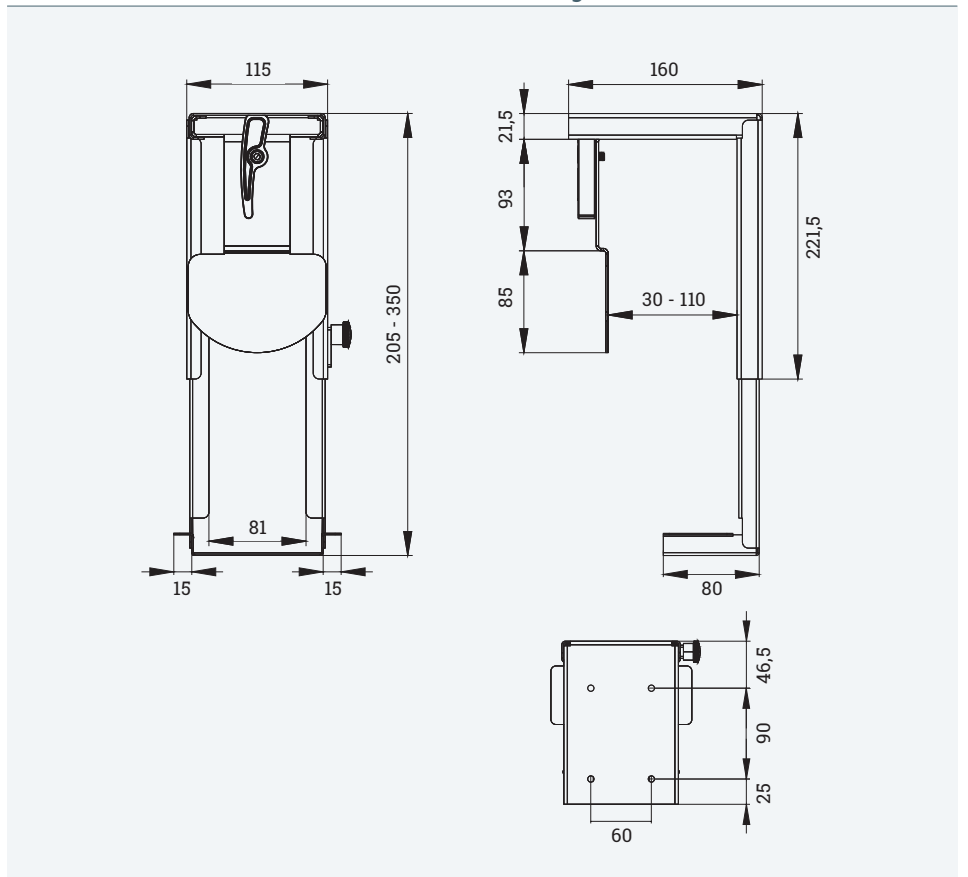
- ✔ Ideally suited for thin clients
- ✔ Flexible locking mechanism
- ✔ Available in 3 different colours
- ✔ Robust metal holder



Details

Height	205 - 350
Width	30 - 110
Material	Metal
PC Height	165 - 310
PC Width	30 - 110
Top rail lockable	
Height quickly and easily adjustable	
Fixing holes pre-drilled	

Technical drawings



Article	Description	Colour	Item No.
EASY Click	Small PC holder, adjustable, for table top mounting, 20 Kg load capacity	Black	319 127440
		Silver	319 127454
		White	319 127447

