

# E-SOLID 300/450



Heavy duty table frame, electric height adjustable

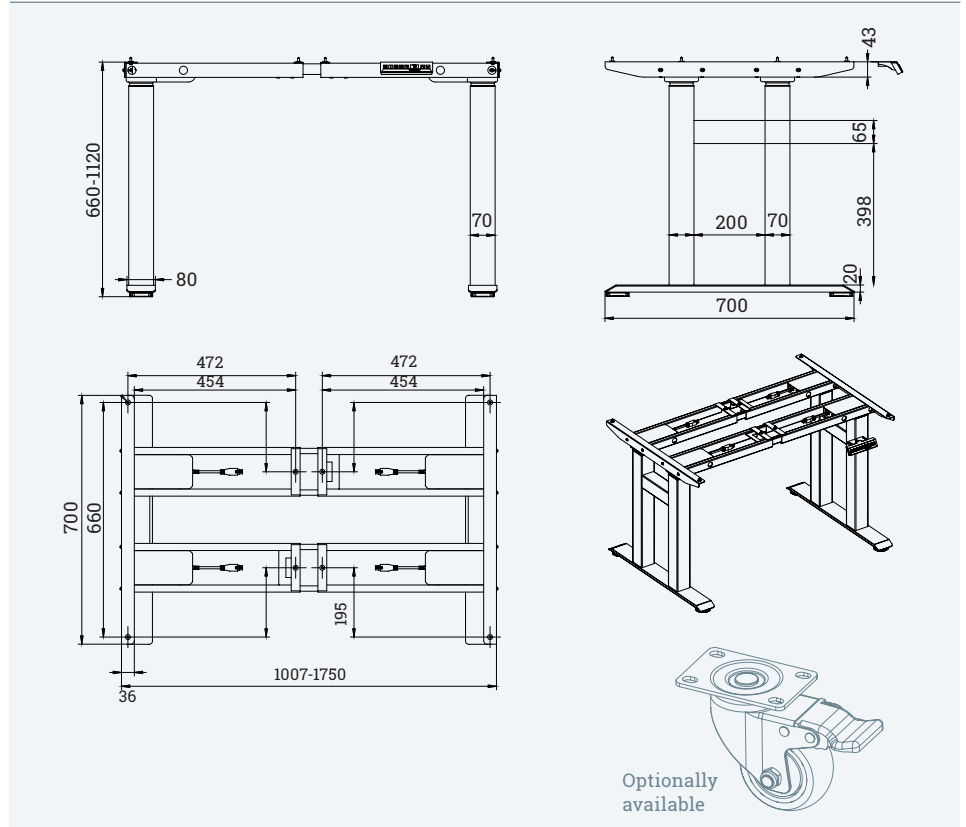
- ✓ Available as 300 kg or 450 kg version
- ✓ 4 Motors / 2-segments
- ✓ 3 Memory keys
- ✓ Integrated double collision protection (sensitivity adjustable in 8 levels)



## Details

Motors	4
Lifting column segm.	2
Column cross-section	70x70 mm
Lifting range	660-1120 mm
Frame width	1007-1750 mm
Table top size min	700x1050 mm
Table top size max	1000x2000 mm
Load capacity	300/450 kg
Memory keys	3
Display	LED
USB charging	USB-A / 18 W
Speed	20/17 mm/s
Double Anti collision function	Overvoltage protection Gyroscope sensor
Reminder function	integrated
Child lock	integrated
Sound level	<50 dB
Power consumpt. min	0,1 W
Power consumpt. max	350 W
Duty cycle	max 2 min "on" / 18 min "off"
Cascading options	up to 12 columns

## Technical drawings



Article	Description	Colour	Item No.
E-SOLID 300	Electric height adjustable desk, 660-1110 mm, 4 motors, 2 segments, handset with LED, 3 memory settings, loading capacity: 300 kg	RAL 9017, Traffic black	301 129316
		RAL 9006, White aluminium	301 129323
		RAL 9010, Pure white	301 129330
E-SOLID 450	Electric height adjustable desk, 660-1110 mm, 4 motors, 2 segments, handset with LED, 3 memory settings, loading capacity: 450 kg	RAL 9017, Traffic black	301 130149
		RAL 9006, White aluminium	301 130156
		RAL 9010, Pure white	301 130163
E-PLUS 150	4 Heavy duty castors table frames, for E-SOLID frames, load capacity per castor 150 KG	Black	302 134342

