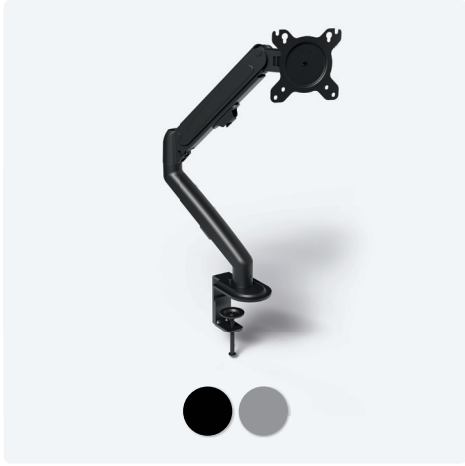


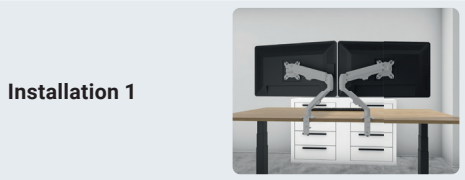
Ergonomic monitor arm

- ✔ Improves work ergonomics, even with height-adjustable workstations
- ✔ For monitors up to 32 inches with a weight up to 7 kg
- ✔ Can be installed in combination with partition walls
- ✔ Integrated cable management for an organised workplace
- ✔ Combination of two mounts enables numerous monitor configurations

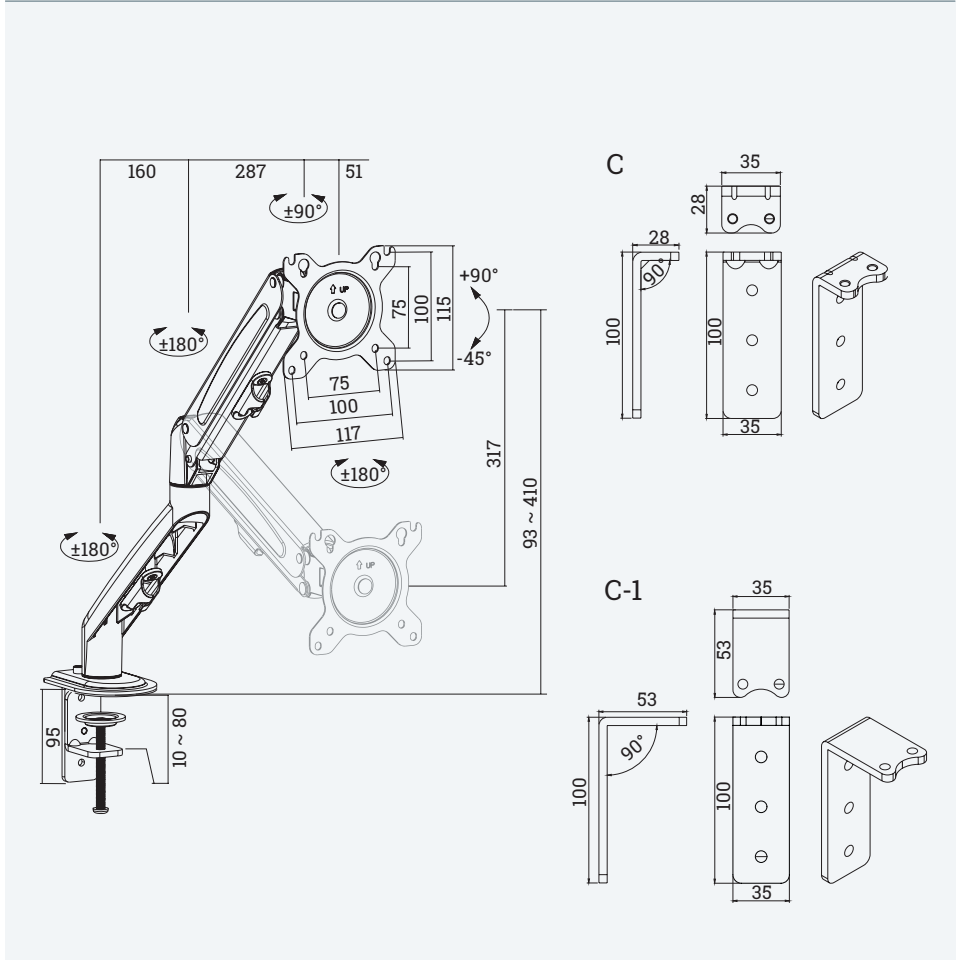


Details

Clamp range	to 80 mm
Tiltable	-45 bis 90°
Rotation	to 180°
Screen rotation	+180° ~ -180°
Load capacity	max. 7 kg
Compatibility	VESA 75x75 / 100x100



Technical drawings



Article	Description	Colour	Item No.
VIMO One	Ergonomic monitor arm	Black	319 129393
		Silver	319 129400