

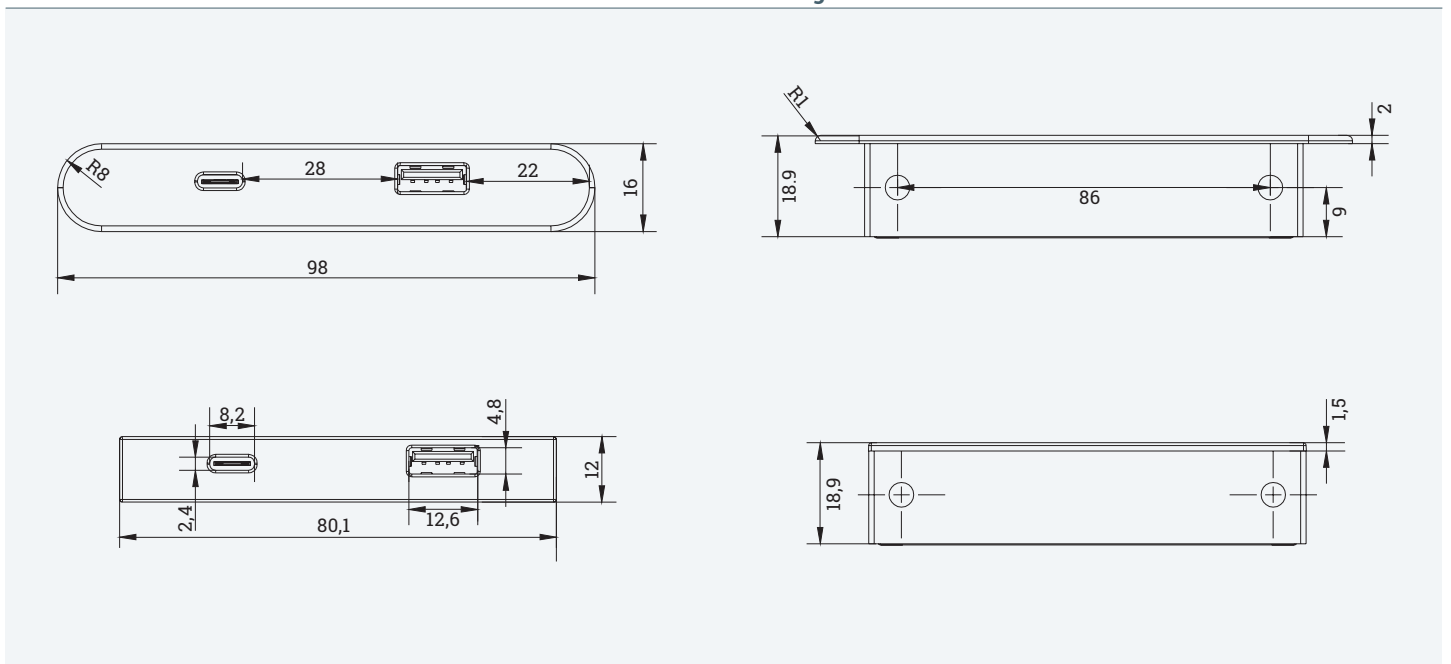
USB A+C (RE)

Insertable USB socket

- ✔ With USB-C and USB-A charging plugs
- ✔ Flat dimensions enable many installation variants
- ✔ incl. 1.8 m power cable



Technical drawings



Article	Description	Colour	Item No.
USB A+C RE	USB A+C RE, 98x18 mm, Build-in socket with USB-A+C, black 1x USB-A, 1x USB C, with cable 1,8 m (USB-C<->USB-A), rectangular USB A: 5V 3.1A, USB C: 5V 3.1A, USB A+C: 5V 3.1A max.	Black	205 131822
USB-A Charger	USB-A power supply 240 V, black 5.0 V/DC 3.0 A Input: 100-240 V AC~50/60 Hz 0.5 A max Output: 3,6-6,5 V = 3.0 A/6.5-9.0 V = 2.0 A/9.0-12.0 V = 1,5 A 18.0 W max	Black	205 131850