

USB A+C

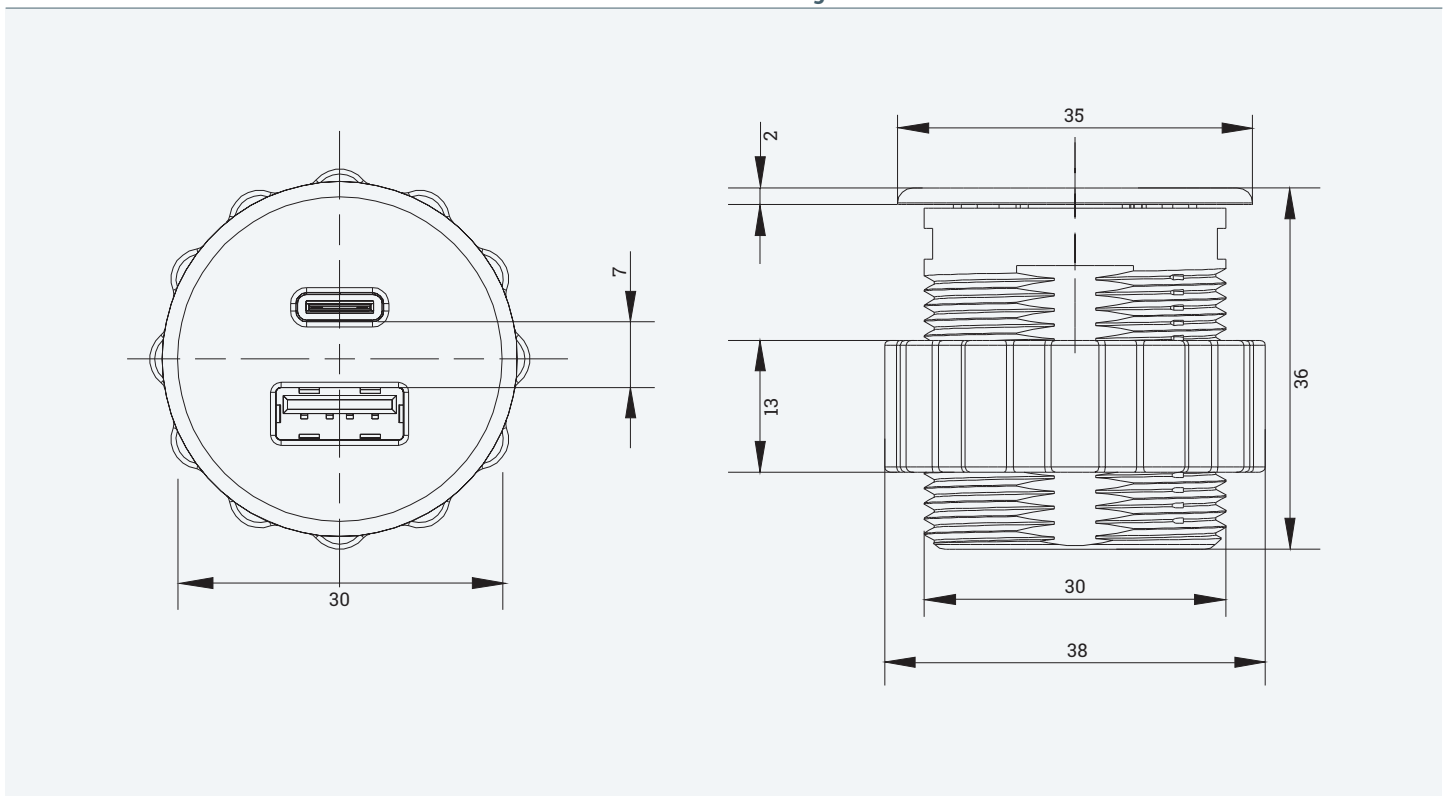


Multifunctional socket with USB charging function, Ø30 mm

- ✓ 1x USB-A charging + 1x USB-C charging
- ✓ Inlet diameter Ø30 mm
- ✓ incl. 1.8 m power cable, USB-A-transformer (available separately)



Technical drawings



Article	Description	Colour	Item No.
USB A+C	USB A+C, Ø30 mm, built-in socket USB-A+C, 1x USB-A, 1x USB-C, incl. power cable 1,8 m (USB-C <-> USB-A) round, USB-A: 5V 3.1A, USB-C: 5V 3.1A, USB-A+C: 5V 3.1A max.	Black	205 131829
		Silver	205 131836
		White	205 131843
USB-A Charger	USB-A charger, mains plug 240 V, 5.0 V / DC 3.0 A Input: 100 - 240V AC ~ 50 / 60Hz 0.5 A max. Output: 3,6 - 6,5V = 3,0 A / 6,5 - 9,0V = 2,0 A / 9,0 - 12.0V = 1,5A 18.0 W max.	Black	205 131850

